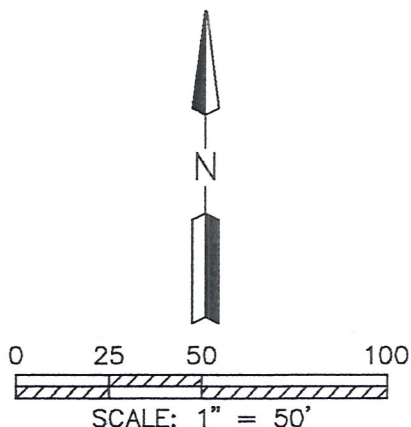


GRANTOR:

LARRY R. & NANCY J. LORENTZ
O.R. VOL. 28; PG. 905



SW-4815B

REF.
SURVEYS
"T"-171
"JJ"-299
"JJ"-225

✕ NAIL FD.
● I.P. FOUND
○ I.P. SET (SJL INC.)

RECEIVED
JAN 28 2000
Hol. Co. Tax Map Office

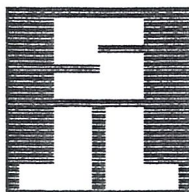
LONG LAKE INC.
Deed Vol. 276; Pg. 669

MAP OF SURVEY
N.W. QTR. OF SEC. 26
T-20N; R-15W
WASHINGTON TOWNSHIP
HOLMES COUNTY, OHIO



**SHAFFER, JOHNSTON, LICHTENWALTER
& ASSOCIATES, INC.**

CONSULTING ENGINEERS - SURVEYORS
2585 CLEVELAND ROAD, WOOSTER, OHIO 44691
TEL (330) 345-6377 FAX (330) 345-6725 EMAIL: VDLATSJL@aol.com



Virgil D. Landis
Virgil D. Landis, P.S. #6551 Date 1-25-00

Distances shown hereon are expressed in feet and decimal parts thereof, bearings are to an assumed meridian and are used to express angles only, iron pins or monuments were found or set as indicated hereon and are believed, to be correct, to the best of my knowledge, information and belief;