

# PROPERTY LINE SURVEY

VILLAGE OF BIG PRAIRIE  
 RIPLEY TOWNSHIP  
 N.E. QTR. SECTION 30  
 T-18 N; R-14 W  
 HOLMES COUNTY, OHIO

SURVEYED FOR: DENNIS MORGAN

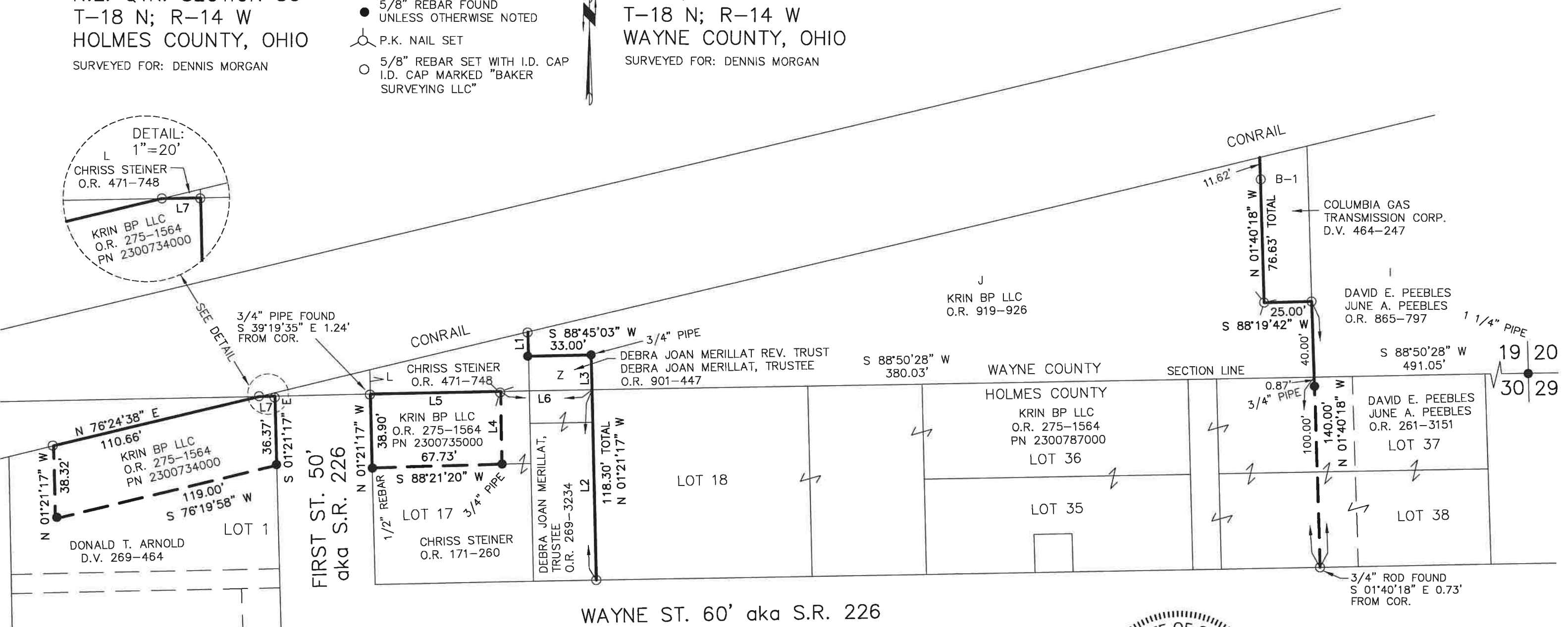
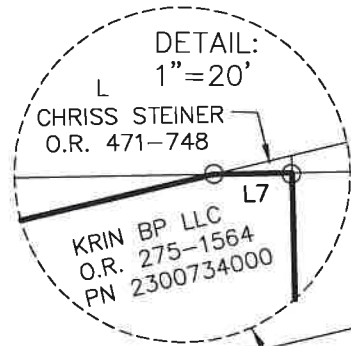


SCALE: 1"=50'

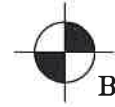
- 5/8" REBAR FOUND UNLESS OTHERWISE NOTED
- P.K. NAIL SET
- 5/8" REBAR SET WITH I.D. CAP I.D. CAP MARKED "BAKER SURVEYING LLC"

VILLAGE OF BIG PRAIRIE  
 CLINTON TOWNSHIP  
 S.E. QTR. SECTION 19  
 T-18 N; R-14 W  
 WAYNE COUNTY, OHIO

SURVEYED FOR: DENNIS MORGAN



LINE	BEARING	DISTANCE
L1	N 01°21'17" W	12.83'
L2	N 01°21'17" W	100.00'
L3	N 01°21'17" W	18.30'
L4	S 00°50'47" E	38.32'
L5	N 88°50'28" E	68.07'
L6	S 88°50'28" W	47.90'
L7	N 88°50'28" E	8.11'



**BAKER SURVEYING, LLC**  
 138 N. CLAY STREET  
 MILLERSBURG, OHIO 44654  
 PH. 330-674-4788  
 EMAIL: bakersurveying@gmail.com



I CERTIFY THIS SURVEY TO BE CORRECT TO THE BEST OF MY KNOWLEDGE.

*A.L.G.*  
 AARON L. GERBER P.S. 8379  
 DATE: FEB. 24, 2021  
 KES\GRB  
 FILE NAME: WORK6\S-649-20\CNK