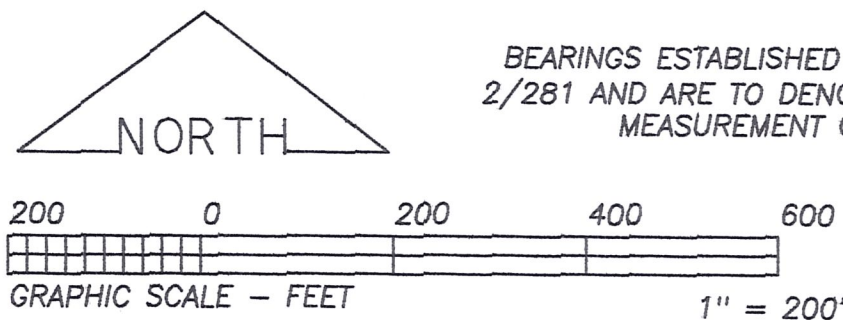


SEP 6 '05 AM 8:32

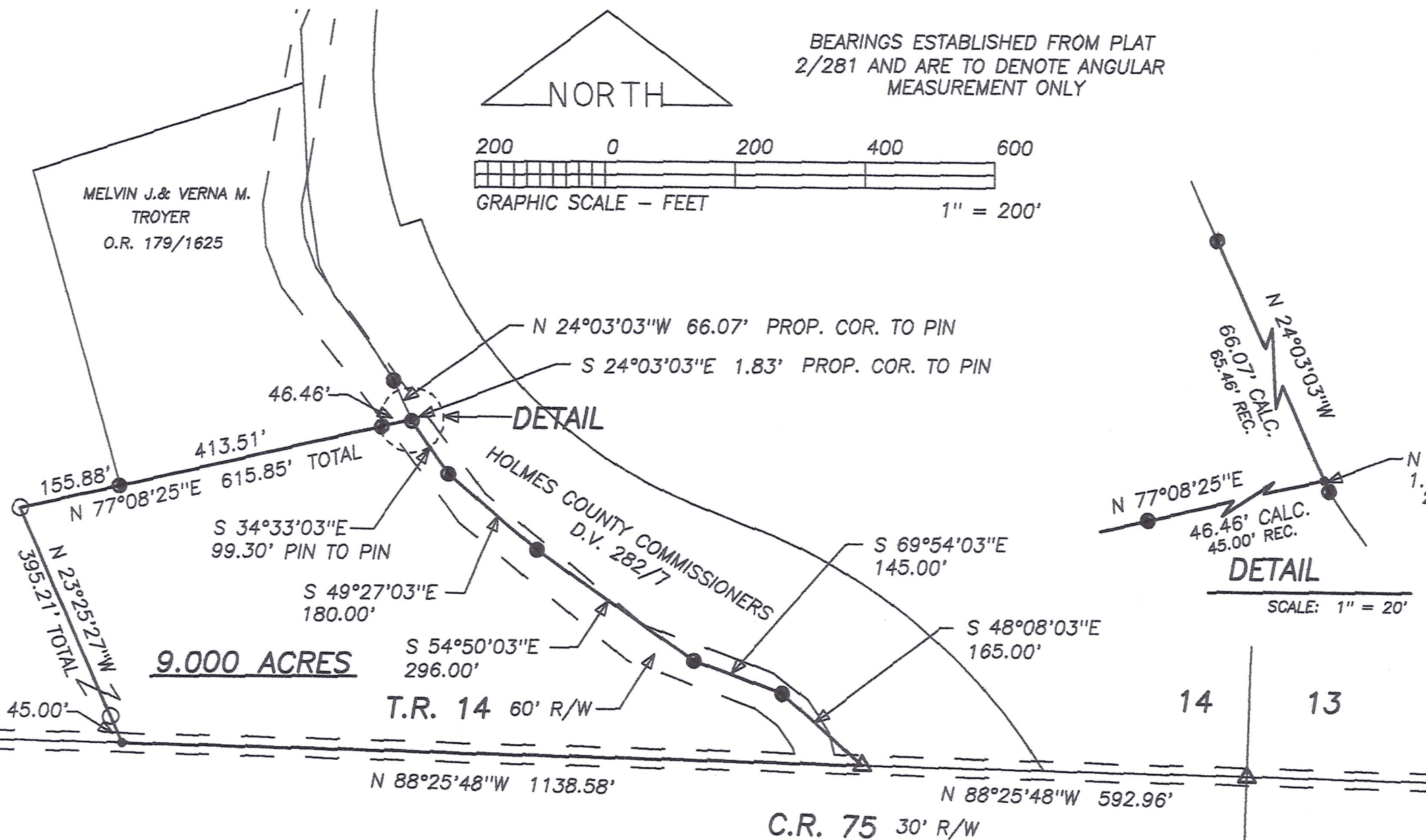
RECORDERS SPACE

BEARINGS ESTABLISHED FROM PLAT 2/281 AND ARE TO DENOTE ANGULAR MEASUREMENT ONLY



CHARLES W. & CHERYL E. STARNER
D.V. 145/596, D.V. 204/811, D.V. 205/341

MELVIN J. & VERNA M. TROYER
O.R. 179/1625



- LEGEND:
- = STONE FD.
 - = 5/8" RE-BAR FD. UNLESS NOTED
 - = POINT-OF-DEPARTURE
 - = 5/8" X 30" RE-BAR W/PLASTIC I.D. CAP SET
 - ⊗ = R/R SPIKE SET
 - △ = R/R SPIKE FD.

REFERENCE DOCUMENTS:
TAX MAPS
DEEDS AS SHOWN
SURVEY PLATS: 2/281, 19/52

HEARTLAND SURVEYING, INC

Jim Shamp

5210 T.R. 257 MILLERSBURG, OH 44654
PH: 330-674-4698 FAX: 330-674-0897

SURVEY		CHARLES W. & CHERYL E. STARNER		STATE		OHIO	
COUNTY	HOLMES	TWP.	RICHLAND	RNG.	9 W	TWP.	8 N
NORTHEAST QUARTER OF SECTION 14				JOB NO. 030817 LAY'S 22-23			

I CERTIFY THIS PLAT & SURVEY TO BE CORRECT TO THE BEST OF MY KNOWLEDGE:

Jim Shamp

JIM SHAMP, REG. SUR. NO. S-6088

SEPTEMBER 1, 2005

DATE

