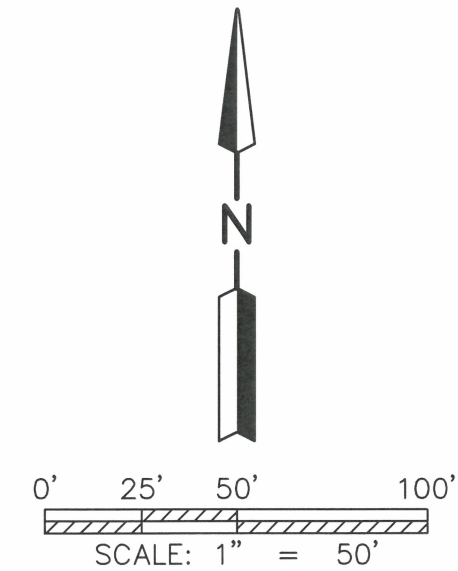


33 33 T-14N, R-13W
 4 4 5/8" REBAR

MAP OF SURVEY

NE QUARTER OF SECTION 4
 T-13-N; R-13-W
 PRAIRIE TOWNSHIP
 HOLMES COUNTY, OHIO



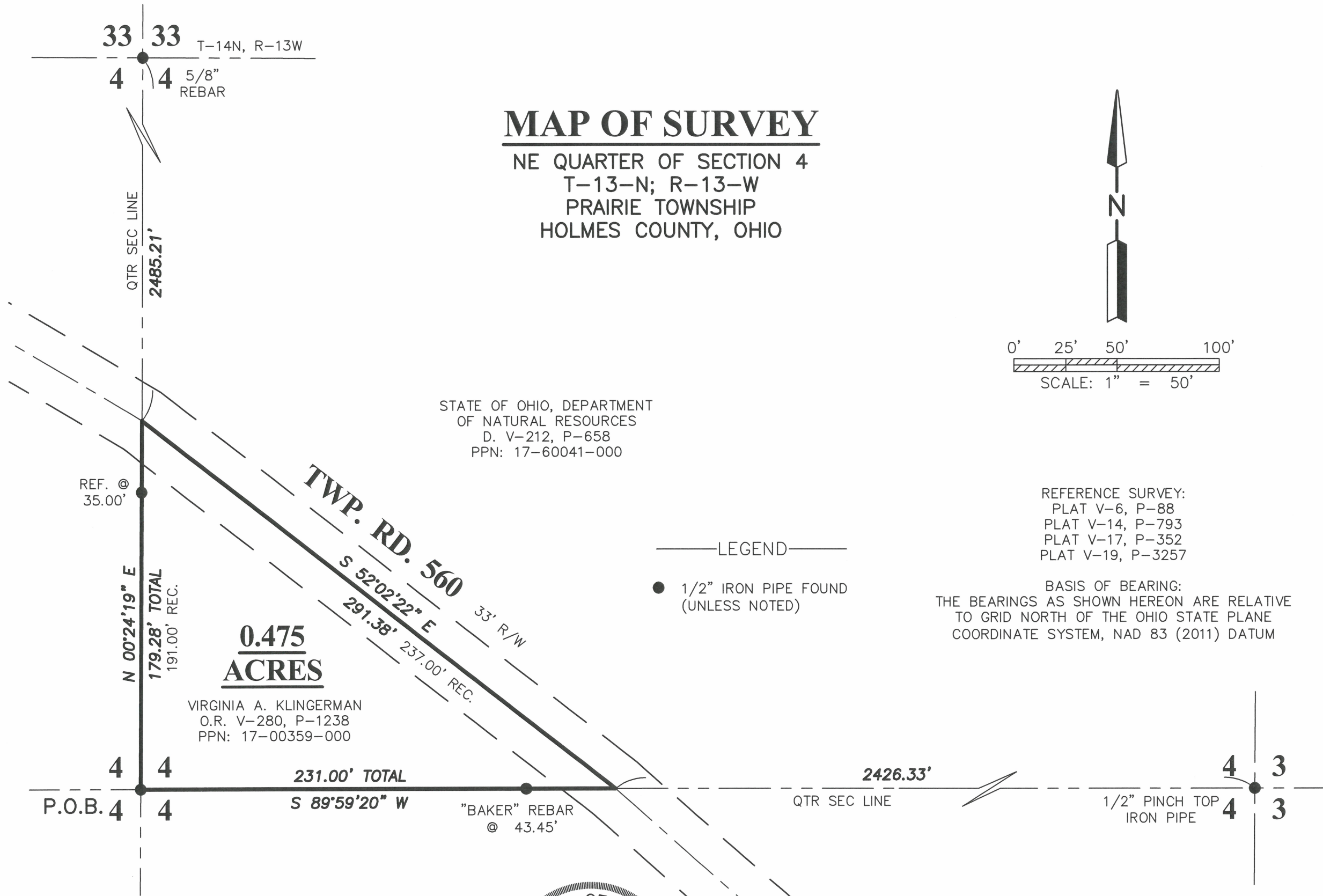
STATE OF OHIO, DEPARTMENT
 OF NATURAL RESOURCES
 D. V-212, P-658
 PPN: 17-60041-000

REFERENCE SURVEY:
 PLAT V-6, P-88
 PLAT V-14, P-793
 PLAT V-17, P-352
 PLAT V-19, P-3257

BASIS OF BEARING:
 THE BEARINGS AS SHOWN HEREON ARE RELATIVE
 TO GRID NORTH OF THE OHIO STATE PLANE
 COORDINATE SYSTEM, NAD 83 (2011) DATUM

— LEGEND —

● 1/2" IRON PIPE FOUND
 (UNLESS NOTED)



**0.475
 ACRES**

VIRGINIA A. KLINGERMAN
 O.R. V-280, P-1238
 PPN: 17-00359-000

Distances shown hereon are expressed in feet and decimal parts thereof, bearings are used to express angles only, iron pins or monuments were found or set as indicated hereon. All of which I believe to be correct to the best of my knowledge.

By: Jason J. Lingenfelter 5-16-2023
 JASON J. LINGENFELTER, P.S. #8499 DATE
 JOB #23-027



LINGENFELTER SURVEYING
 PROFESSIONAL LAND SURVEYING (330)-231-3957