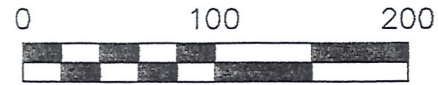


# RETRACEMENT SURVEY OF D.V. 212-863

MECHANIC TOWNSHIP  
S.E. QTR. SECTION 2  
T-8 N; R-7 W  
HOLMES COUNTY, OHIO

SURVEYED FOR: RYAN WENGERD



SCALE: 1"=100'

- STONE FOUND
- 5/8" REBAR FOUND  
UNLESS OTHERWISE NOTED
- 5/8" REBAR SET WITH I.D. CAP  
I.D. CAP MARKED "BAKER 6938"

### REFERENCES

- DEED VOL. 212 PAGE 863
- O.R. VOL. 223 PAGE 2483
- O.R. VOL. 212 PAGE 2299
- PLAT VOL. 17 PAGE 341
- PLAT VOL. 3 PAGE 81
- PLAT VOL. 17 PAGE 272
- BEARINGS FROM PLAT VOL. 15 PAGE 57

YASSER OMRAN  
CANDACE RENEE OMRAN,  
TRUSTEES O.R. 223-2483

N 19°03'42" E  
746.20'

732.00' TOTAL  
S 66°20'08" E

SUBJECT TO AN EXISTING  
40' EASEMENT  
O.R. 212-2299  
P.V. 17-272

S.R. 83  
R/W VARIES

SOUTH RIGHT OF WAY LINE S.R. 83

CENTERLINE  
EXISTING 20'  
EASEMENT  
D.V. 142-87

FEDERAL HOME LOAN  
MORTGAGE CORPORATION  
O.R. 240-2387

S 01°19'25" W  
40.00'  
60.33'

S 01°19'25" W  
392.84'

328.74'  
N 01°19'25" E

149.99'  
N 66°23'02" W  
(150.00' REC)

SEE DETAIL

9.372 ACRES

THOMAS F. McCOLLUM  
ELLEN JOY McCOLLUM  
D.V. 212-863

KATHLEEN R. THOMPSON  
O.R. 212-2299

446.43'  
S 01°19'25" W

389.00'  
N 01°19'25" E

138.78'  
N 88°53'49" W

1290.06'

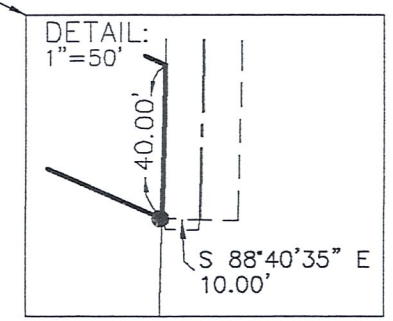
385.66'

SECTION LINE

765.62'

N 88°53'49" W

S 88°53'49" E



I CERTIFY THIS SURVEY TO BE CORRECT  
TO THE BEST OF MY KNOWLEDGE.

DONALD C. BAKER P.S. 6938  
DATE: JULY 5, 2013  
FDBYRES  
FILE NAME: WORK4\S-262-13\MLD

DONALD C. BAKER SURVEYING  
138 N. CLAY STREET  
MILLERSBURG, OHIO 44654  
PH. 330-674-4788  
FAX 330-674-6027

