

MECHANIC TOWNSHIP  
 2ND QTR., LOT 2  
 T-8 N; R-6 W  
 HOLMES COUNTY, OHIO

SURVEYED FOR: JOSEPH SCHLABACH

0 200 400



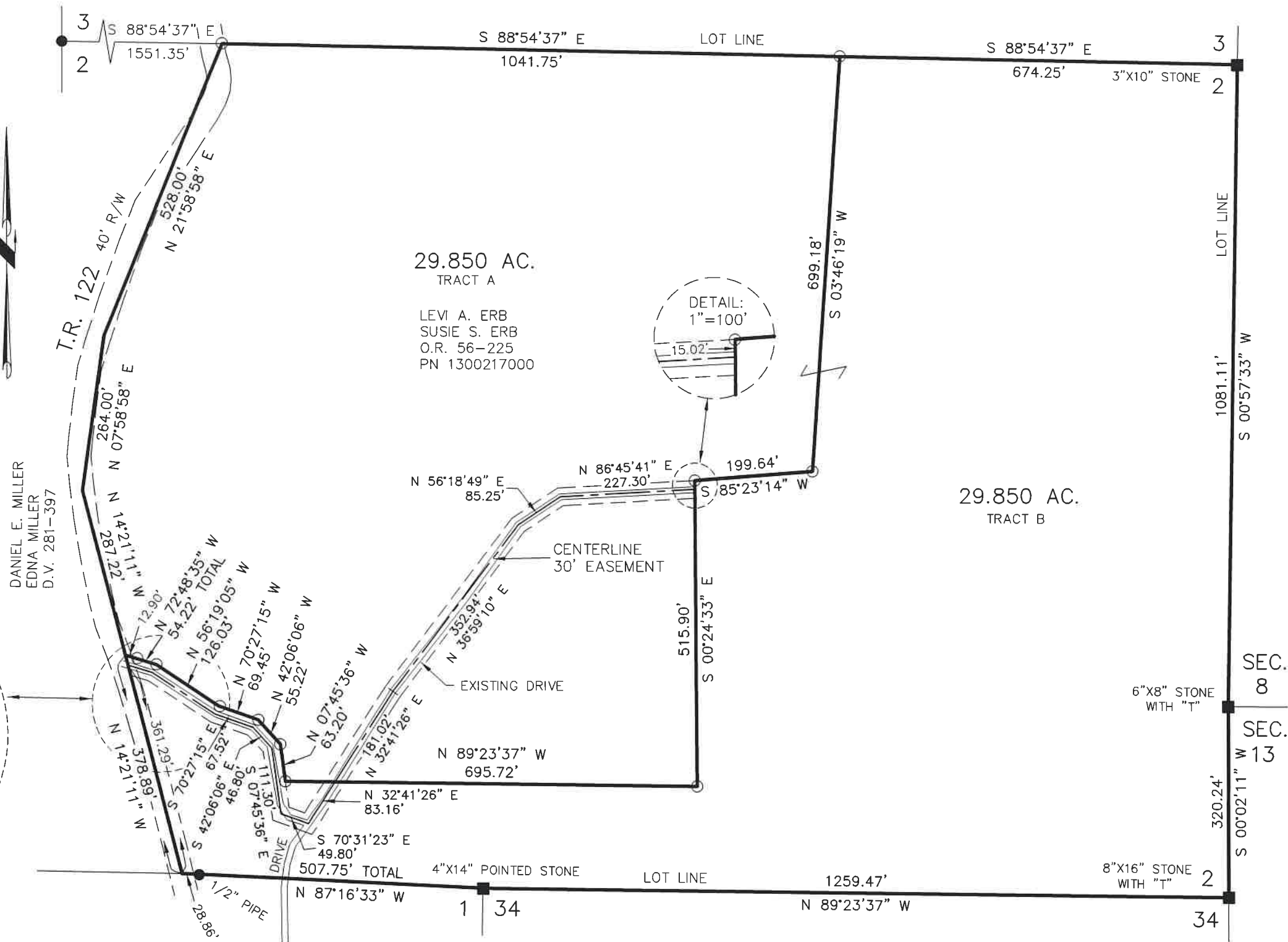
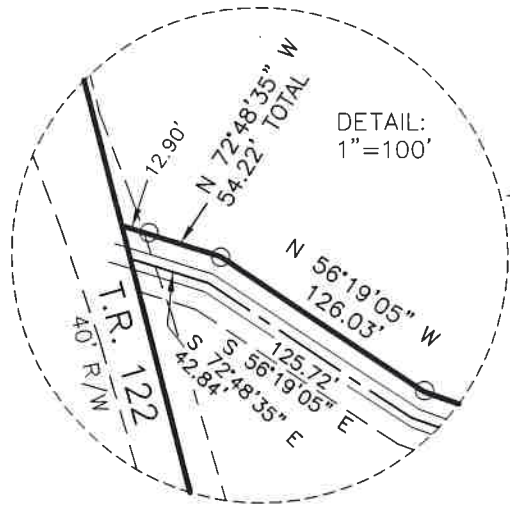
SCALE: 1"=200'

- STONE FOUND
- 5/8" REBAR FOUND UNLESS OTHERWISE NOTED
- 5/8" REBAR SET WITH I.D. CAP I.D. CAP MARKED "BAKER 6938"

REFERENCES

- DEED VOL. 281 PAGE 397
- O.R. VOL. 56 PAGE 225
- PLAT VOL. 11 PAGE 29
- PLAT VOL. 14 PAGE 207
- PLAT VOL. 19 PAGE 577

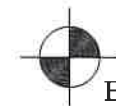
BASIS OF BEARINGS FROM OHIO STATE PLANE COORDINATE SYSTEM, NORTH ZONE, N.A.D. 83, 2011 ADJUSTMENT



I CERTIFY THIS SURVEY TO BE CORRECT TO THE BEST OF MY KNOWLEDGE.  
*Donald C. Baker*  
 DONALD C. BAKER P.S. 6938  
 DATE: JUNE 11, 2024  
 KES\GRB  
 FILE NAME: WORK6\S-244-24\CNK

MASTER PLAT

- ACTION 1) CONVEY 29.850 ACRES (TRACT A)
- ACTION 2) CONVEY 29.850 ACRES (TRACT B)



BAKER SURVEYING, LLC  
 138 N. CLAY STREET  
 MILLERSBURG, OHIO 44654  
 PH. 330-674-4788  
 EMAIL: bakersurveying@gmail.com