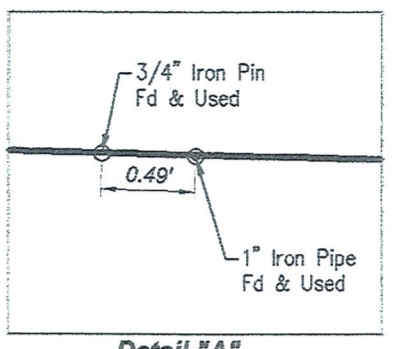
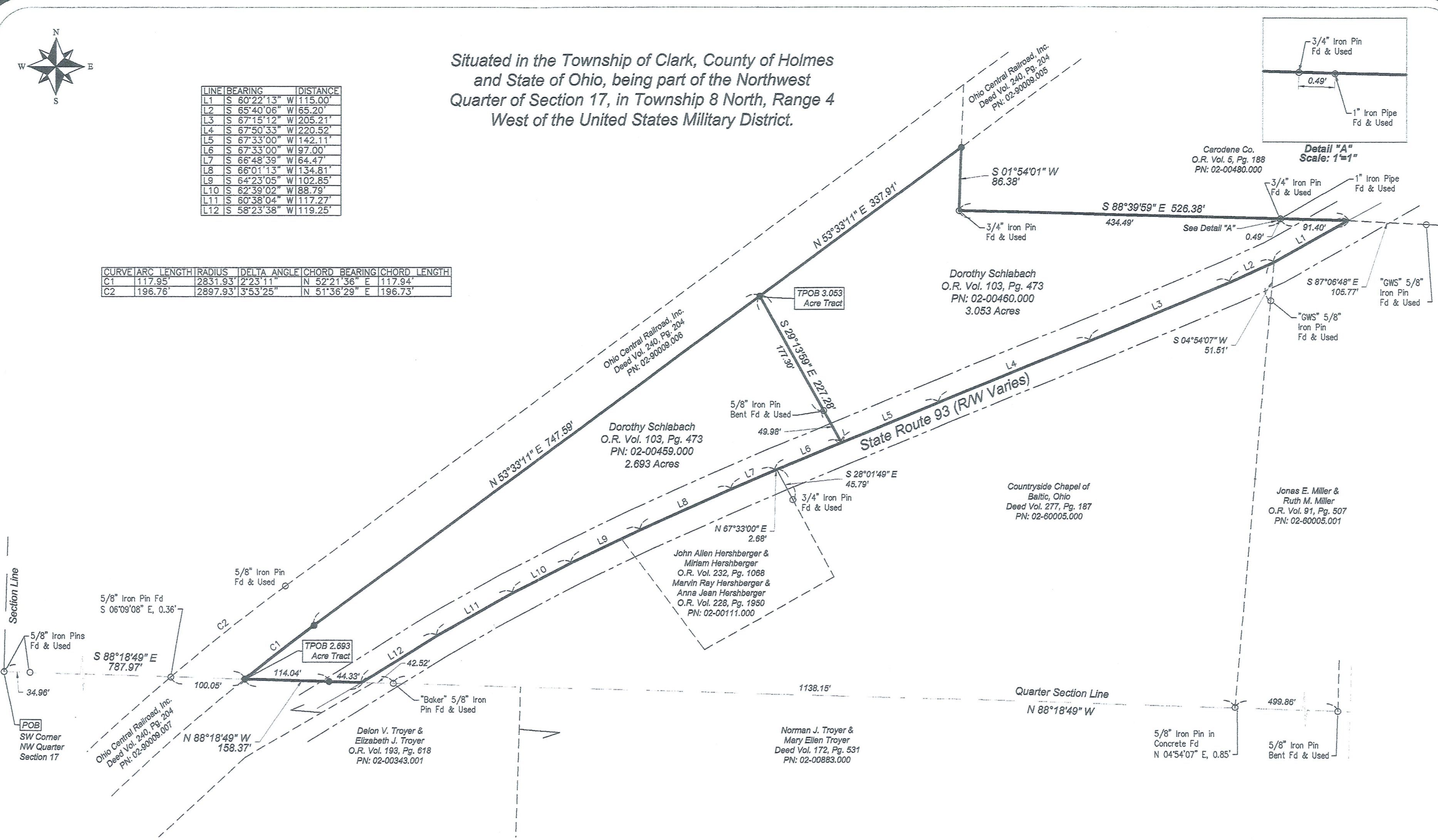


Situated in the Township of Clark, County of Holmes and State of Ohio, being part of the Northwest Quarter of Section 17, in Township 8 North, Range 4 West of the United States Military District.

LINE	BEARING	DISTANCE
L1	S 60°22'13" W	115.00'
L2	S 65°40'06" W	65.20'
L3	S 67°15'12" W	205.21'
L4	S 67°50'33" W	220.52'
L5	S 67°33'00" W	142.11'
L6	S 67°33'00" W	97.00'
L7	S 66°48'39" W	64.47'
L8	S 66°01'13" W	134.81'
L9	S 64°23'05" W	102.85'
L10	S 62°39'02" W	88.79'
L11	S 60°38'04" W	117.27'
L12	S 58°23'38" W	119.25'

CURVE	ARC LENGTH	RADIUS	DELTA ANGLE	CHORD BEARING	CHORD LENGTH
C1	117.95'	2831.93'	2°23'11"	N 52°21'36" E	117.94'
C2	196.76'	2897.93'	3°53'25"	N 51°36'29" E	196.73'



This is to certify that, at the request of the owner, I have surveyed and platted the parcel of land shown hereon in accordance with the provisions of Chapter 4733-37 of the Ohio Administrative Code. Monuments were found or set as indicated hereon. Dimensions are expressed in US Survey Feet and decimal parts thereof. All of which I certify to be correct to the best of my knowledge and belief.

Joshua C. Lambert Date
Registered Professional Surveyor No. S-8666
State of Ohio

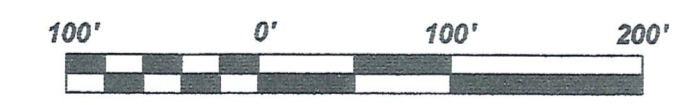
PRELIMINARY FOR REVIEW ONLY

The Basis of Bearing is Ohio State Plane Coordinates, North Zone, NAD 1983.

Iron pins set are 30" x 3/4" steel rod with plastic cap stamped "DIVERSIFIED ENGINEERING".

Reference used:
County Auditor's Tax Maps
Deeds as noted hereon
Surveys on File at the County Map Office

- R/W - Right-of-Way
- P - Property Line
- C - Centerline
- POB - Place/Point of Beginning
- TPOB - True Place/Point of Beginning
- R&U - Record & Used
- C - Calculated
- M - Measured
- R - Record
- - Iron Pin Set
- ▲ - Drill Hole or Railroad Spike Set
- - Iron Pin Found
- ⊙ - Iron Pipe Found
- △ - Monument Found as Noted
- - Stone Monument Found



ISSUE DATE	03/21/19	SCALE	1" = 100'
SURVEYED BY	BM	DATE	03/18/19
DRAWN BY	JCL	DATE	03/20/19
CHECKED BY	JCL	DATE	03/21/19
FILE ID: DEI-6513			

Diversified Engineering Inc.
CONSULTING ENGINEERS & SURVEYORS
175 RAY AVENUE, N.E. Phone: (330) 364-1631
NEW PHILADELPHIA, OH 44663 Fax: (330) 364-4031
e-mail: dsl@div-eng.com Web: www.div-eng.com

PLAT OF SURVEY
Dorothy Schlabach
2241 State Route 93
Baltic, Ohio 43804

SHEET NO:
1 / 1