

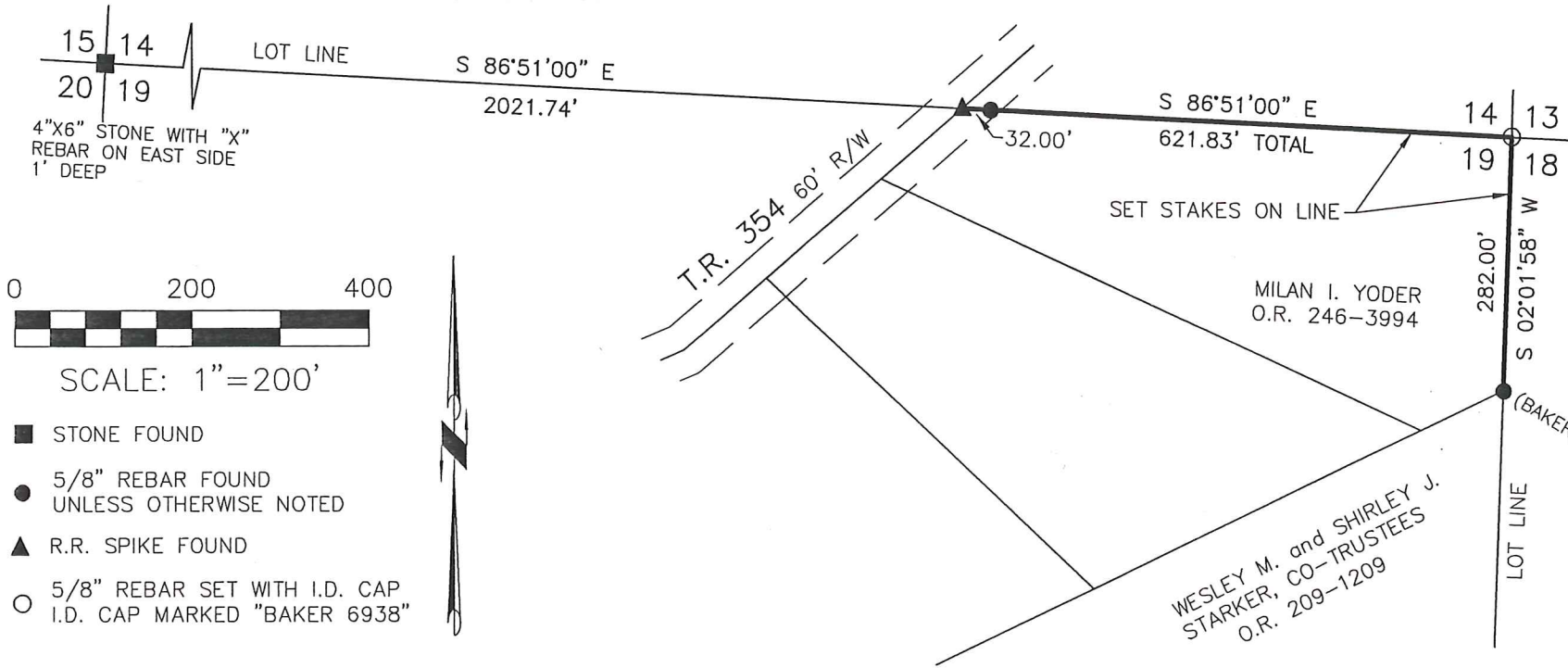
BERLIN TOWNSHIP  
4TH. QTR., LOT 19  
T-9 N; R-6 W  
HOLMES COUNTY, OHIO


REFERENCES  
O.R. VOL. 125 PAGE 594  
O.R. VOL. 209 PAGE 1209  
PLAT VOL. 5 PAGE 173  
PLAT VOL. 19 PAGES 1118, 1438, 1473 & 1615  
BEARINGS FROM PLAT VOL. 19 PAGE 1473

THIS SURVEY IS TO RESET THE SECTION CORNER. THE 1" REBAR FROM PREVIOUS SURVEYS WAS DESTROYED.

NOV 1 '18 AM 9:07


SURVEYED FOR: PAUL RABER



 DONALD C. BAKER SURVEYING  
138 N. CLAY STREET  
MILLERSBURG, OHIO 44654  
PH. 330-674-4788  
FAX 330-674-6027

**PRELIMINARY  
FOR REVIEW ONLY**

I CERTIFY THIS SURVEY TO BE CORRECT TO THE BEST OF MY KNOWLEDGE.

  
AARON L. GERBER P.S. 8379  
DATE: OCTOBER 28, 2013  
ALG\CJG  
FILE NAME: WORK5\S-521-13\AG-MD