

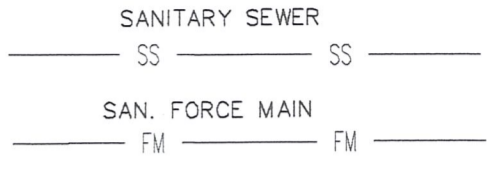
SANITARY SEWER EASEMENT

BERLIN TOWNSHIP
3RD. QTR., LOT 23
T-9 N; R-5 W
HOLMES COUNTY, OHIO

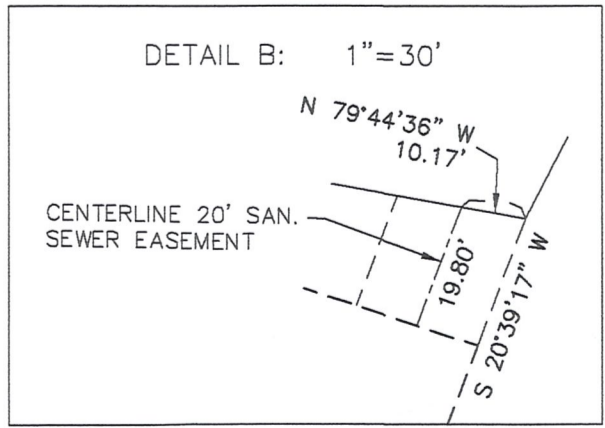
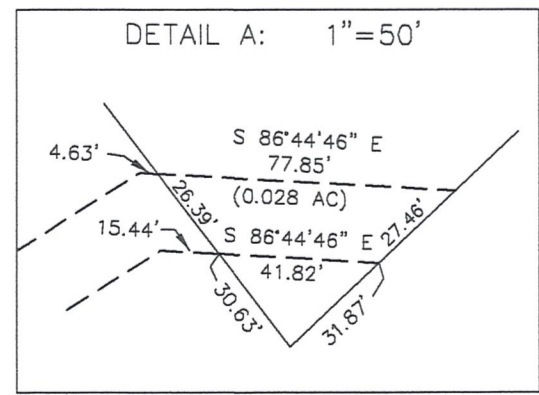
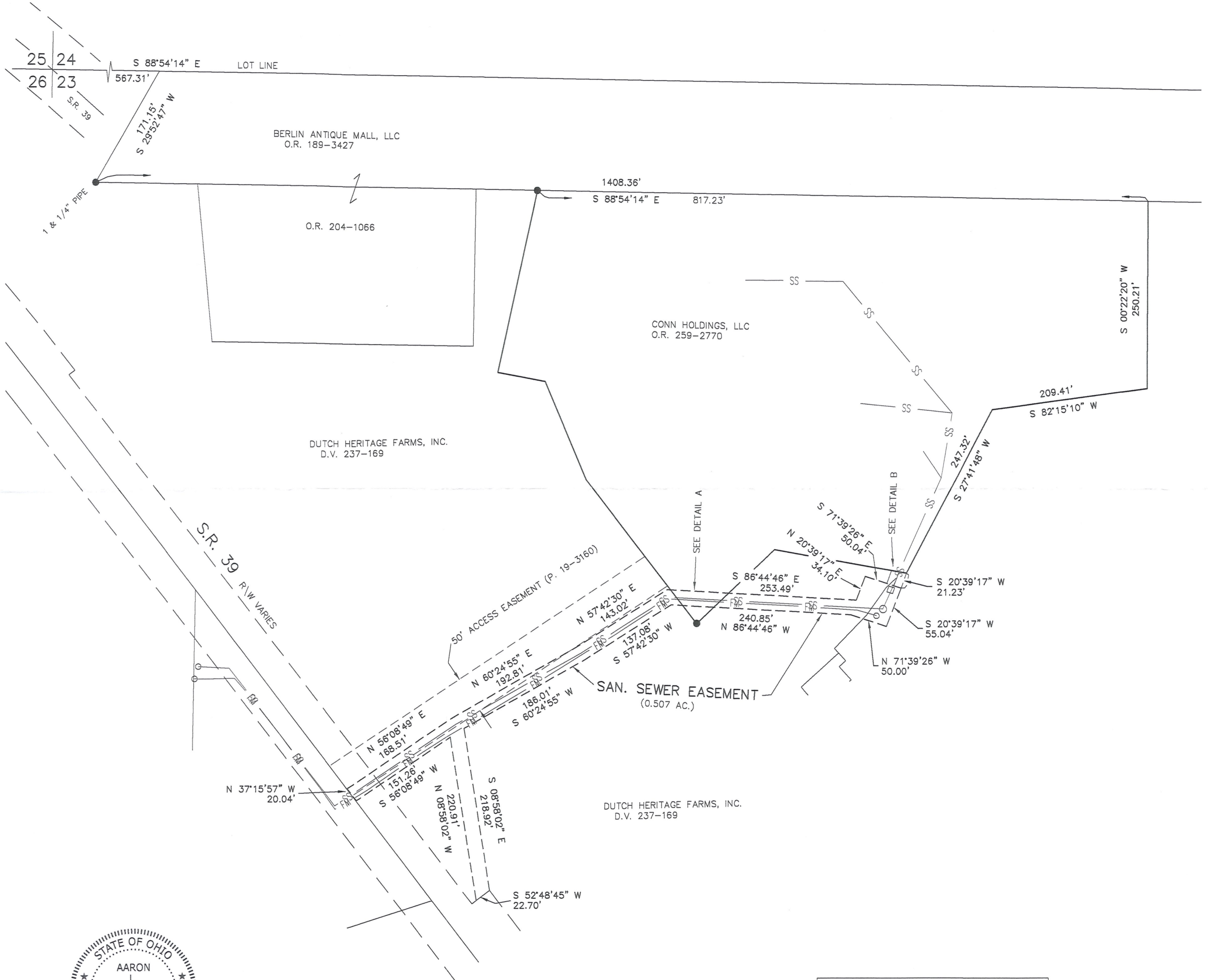
0 100 200

SCALE: 1"=100'

● 5/8" REBAR FOUND
UNLESS OTHERWISE NOTED



REFERENCES
DEED VOL. 237 PAGE 169
O.R. VOL. 259 PAGE 2770
O.R. VOL. 189 PAGE 3427
O.R. VOL. 204 PAGE 1066
PLAT VOL. 19 PAGE 3160
BEARINGS FROM
PLAT VOL. 19 PAGE 3160



I CERTIFY THIS SURVEY TO BE CORRECT TO THE BEST OF MY KNOWLEDGE.

AARON L. GERBER P.S. 8379
DATE: JUNE 18, 2018
ALG
FILE NAME: WORKS 15-18

BAKER SURVEYING, LLC
138 N. CLAY STREET
MILLERSBURG, OHIO 44654
PH. 330-674-4788
FAX 330-674-6027
EMAIL: bakersurveying@gmail.com

FOR PRELIMINARY ONLY