

MECHANIC TOWNSHIP  
 2ND QTR., LOT 2  
 T-8 N; R-6 W  
 HOLMES COUNTY, OHIO

SURVEYED FOR: JOSEPH SCHLABACH

0 200 400



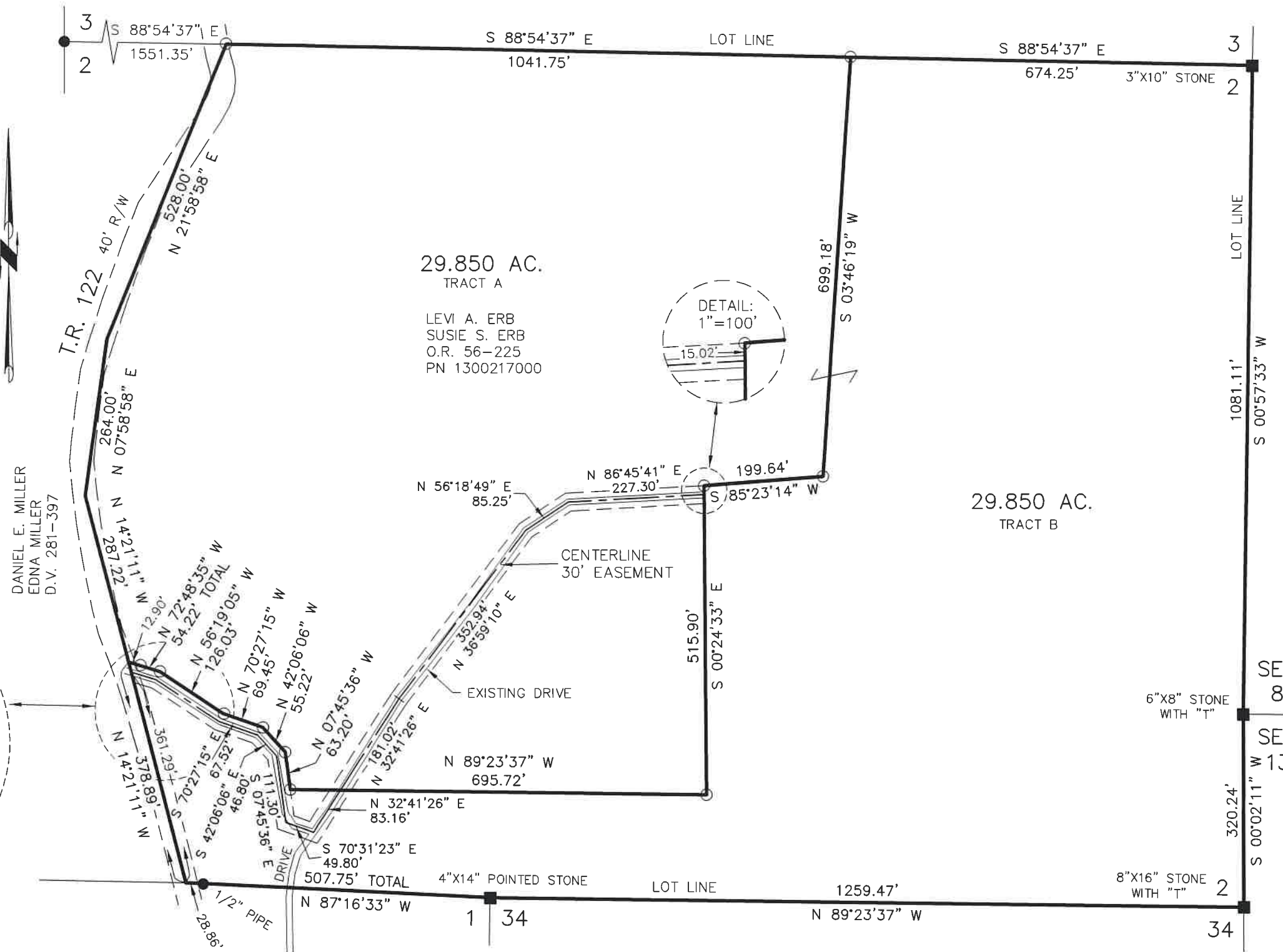
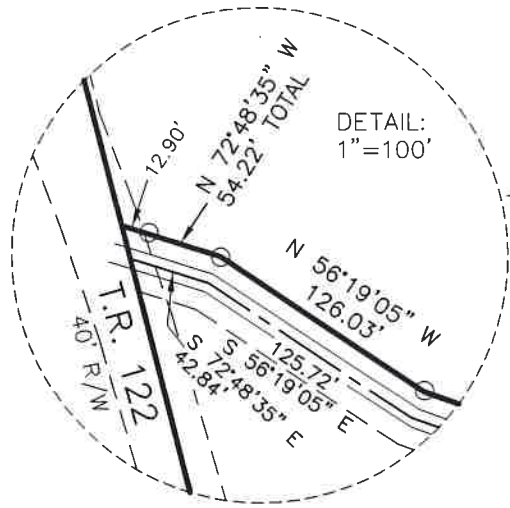
SCALE: 1"=200'

- STONE FOUND
- 5/8" REBAR FOUND UNLESS OTHERWISE NOTED
- 5/8" REBAR SET WITH I.D. CAP I.D. CAP MARKED "BAKER 6938"

REFERENCES

DEED VOL. 281 PAGE 397  
 O.R. VOL. 56 PAGE 225  
 PLAT VOL. 11 PAGE 29  
 PLAT VOL. 14 PAGE 207  
 PLAT VOL. 19 PAGE 577

BASIS OF BEARINGS FROM  
 OHIO STATE PLANE COORDINATE  
 SYSTEM, NORTH ZONE, N.A.D. 83,  
 2011 ADJUSTMENT



202400003319  
 B: 19 P: 5372  
 FILED FOR RECORD IN  
 HOLMES COUNTY, OH  
 ANITA HALL, COUNTY RECORDER  
 09/03/2024 12:43 PM  
 SMALL PLAT . 40.00  
 PAGES: 1  
 ORV 289 Pg 5651  
 ORV 289 Pg 5654

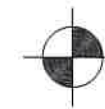


I CERTIFY THIS SURVEY TO BE CORRECT  
 TO THE BEST OF MY KNOWLEDGE.

*Donald C. Baker*  
 DONALD C. BAKER P.S. 6938  
 DATE: JUNE 11, 2024  
 KES\GRB  
 FILE NAME: WORK6\S-244-24\CNK

MASTER PLAT

ACTION 1) CONVEY 29.850 ACRES (TRACT A)  
 ACTION 2) CONVEY 29.850 ACRES (TRACT B)



BAKER SURVEYING, LLC  
 138 N. CLAY STREET  
 MILLERSBURG, OHIO 44654  
 PH. 330-674-4788  
 EMAIL: bakersurveying@gmail.com

APPROVED FOR TRANSFER ONLY  
 NO SUBDIVISION PLAT REQUIRED  
 (O.R.C. 711.001 & 711.131)  
 Lot(s) not for building unless  
 approved by Board of Health  
 HOLMES CO. PLANNING COMMISSION  
 By AO Date 8/22/2024



**Plat Approved**  
 Holmes County Map Office  
 8/20/2024 MM