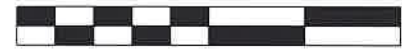


HARDY TOWNSHIP  
S.E. QTR. SECTION 11  
T-9 N; R-7 W  
HOLMES COUNTY, OHIO

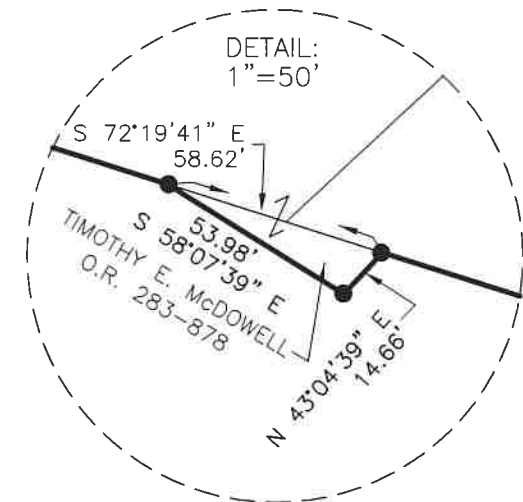
SURVEYED FOR: KAUFMAN REALTY

0 200 400



SCALE: 1"=200'

- 5/8" REBAR FOUND UNLESS OTHERWISE NOTED
- MAG NAIL SET
- 5/8" REBAR SET WITH I.D. CAP I.D. CAP MARKED "BAKER SURVEYING LLC"

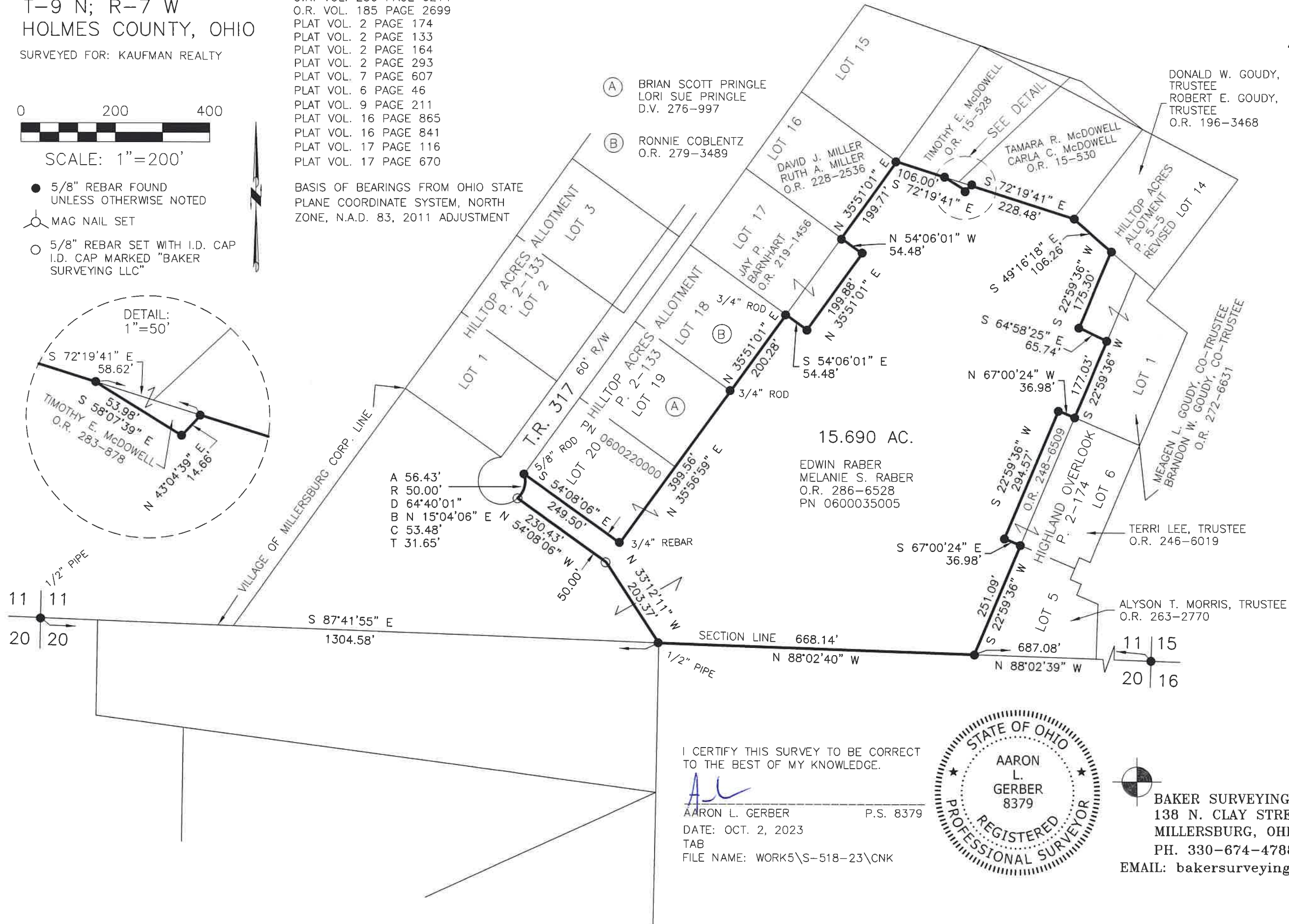


REFERENCES

- O.R. VOL. 215 PAGE 1973
- O.R. VOL. 186 PAGE 2143
- O.R. VOL. 250 PAGE 6214
- O.R. VOL. 185 PAGE 2699
- PLAT VOL. 2 PAGE 174
- PLAT VOL. 2 PAGE 133
- PLAT VOL. 2 PAGE 164
- PLAT VOL. 2 PAGE 293
- PLAT VOL. 7 PAGE 607
- PLAT VOL. 6 PAGE 46
- PLAT VOL. 9 PAGE 211
- PLAT VOL. 16 PAGE 865
- PLAT VOL. 16 PAGE 841
- PLAT VOL. 17 PAGE 116
- PLAT VOL. 17 PAGE 670

BASIS OF BEARINGS FROM OHIO STATE PLANE COORDINATE SYSTEM, NORTH ZONE, N.A.D. 83, 2011 ADJUSTMENT

- (A) BRIAN SCOTT PRINGLE  
LORI SUE PRINGLE  
D.V. 276-997
- (B) RONNIE COBLENTZ  
O.R. 279-3489



202300004366

B: 19 P: 5135

FILED FOR RECORD IN

HOLMES COUNTY, OH

ANITA HALL, COUNTY RECORDER

10/31/2023 10:52 AM

SMALL PLAT . 40.00

PAGES: 1

*ORV 287 Pg 876*

APPROVED FOR TRANSFER ONLY

NO SUBDIVISION PLAT REQUIRED

(O.R.C. 711.001 & 711.131)

Lot(s) not for building unless approved by Board of Health

HOLMES CO. PLANNING COMMISSION

By AO Date 10/26/2023



**Plat Approved**

Holmes County Map Office

10/24/2023 Rg

I CERTIFY THIS SURVEY TO BE CORRECT TO THE BEST OF MY KNOWLEDGE.

*Al*

AARON L. GERBER P.S. 8379

DATE: OCT. 2, 2023

TAB

FILE NAME: WORK5\S-518-23\CNK



BAKER SURVEYING, LLC  
138 N. CLAY STREET  
MILLERSBURG, OHIO 44654  
PH. 330-674-4788  
EMAIL: bakersurveying@gmail.com