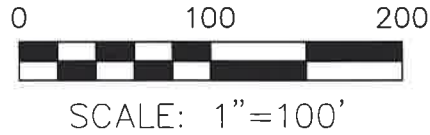


MECHANIC TOWNSHIP
 S.W. QTR. SECTION 10
 N.W. QTR. SECTION 11
 T-8 N; R-6 W
 HOLMES COUNTY, OHIO

SURVEYED FOR: ROMAN HERSHBERGER



- ▲ R.R. SPIKE FOUND
- 5/8" REBAR FOUND
UNLESS OTHERWISE NOTED
- 5/8" REBAR SET WITH I.D. CAP
I.D. CAP MARKED "BAKER 6938"

REFERENCES

O.R. VOL. 48 PAGE 771
 O.R. VOL. 256 PAGE 5285
 PLAT VOL. 19 PAGE 1323
 PLAT VOL. 16 PAGE 412

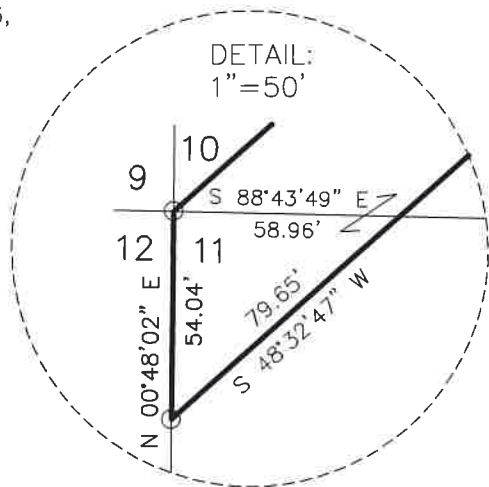
BASIS OF BEARINGS FROM
 OHIO STATE PLANE COORDINATE
 SYSTEM, NORTH ZONE, N.A.D. 83,
 2011 ADJUSTMENT



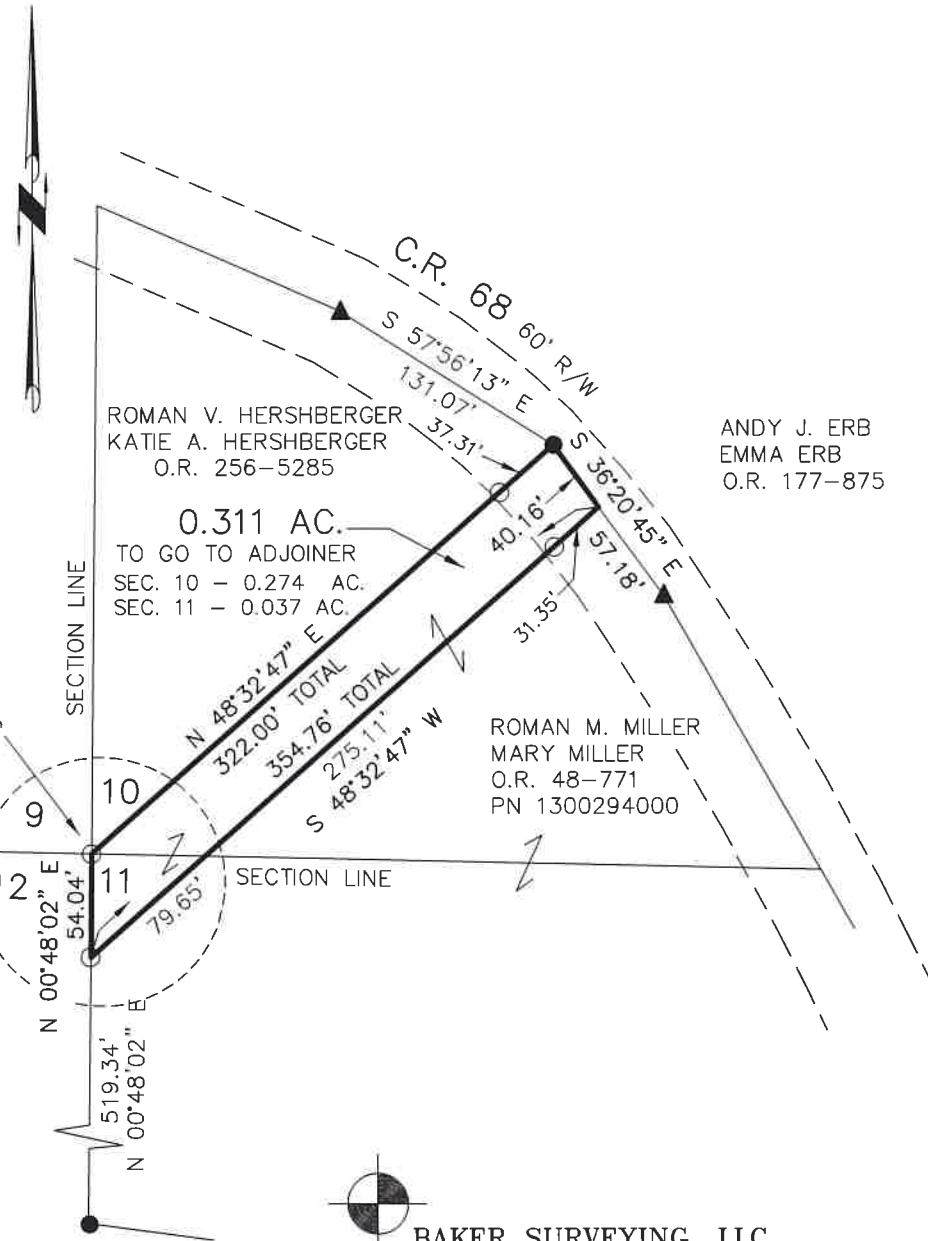
I CERTIFY THIS SURVEY TO BE CORRECT
 TO THE BEST OF MY KNOWLEDGE.

Donald C. Baker
 DONALD C. BAKER P.S. 6938

DATE: APRIL 21, 2023
 KES
 FILE NAME: WORK6\S-227-23\CNK



NOTE: COR. STONE WAS
 DESTROYED BY FENCE
 BUILDING.



202300002090

B: 19 P: 5007
 FILED FOR RECORD IN
 HOLMES COUNTY, OH
 ANITA HALL, COUNTY RECORDER
 05/30/2023 09:56 AM
 SMALL PLAT . 40.00
 PAGES: 1

ORV 285 Pg 4557

APPROVED FOR TRANSFER ONLY
 NO SUBDIVISION PLAT REQUIRED
 (O.R.C. 711.001 & 711.131)
 Lot(s) not for building unless
 approved by Board of Health
 HOLMES CO. PLANNING COMMISSION
 By AO Date 4/28/2023



BAKER SURVEYING, LLC
 138 N. CLAY STREET
 MILLERSBURG, OHIO 44654
 PH. 330-674-4788
 EMAIL: bakersurveying@gmail.com

Plat Approved
 Holmes County Map Office
4/27/2023 MM