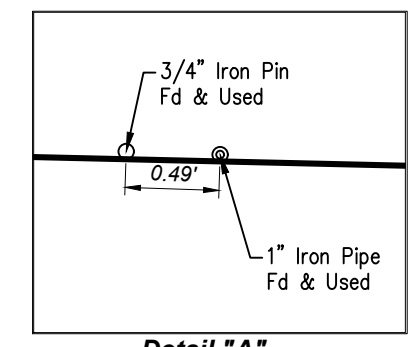


Situated in the Township of Clark, County of Holmes  
 and State of Ohio, being part of the Northwest  
 Quarter of Section 17, in Township 8 North, Range 4  
 West of the United States Military District.

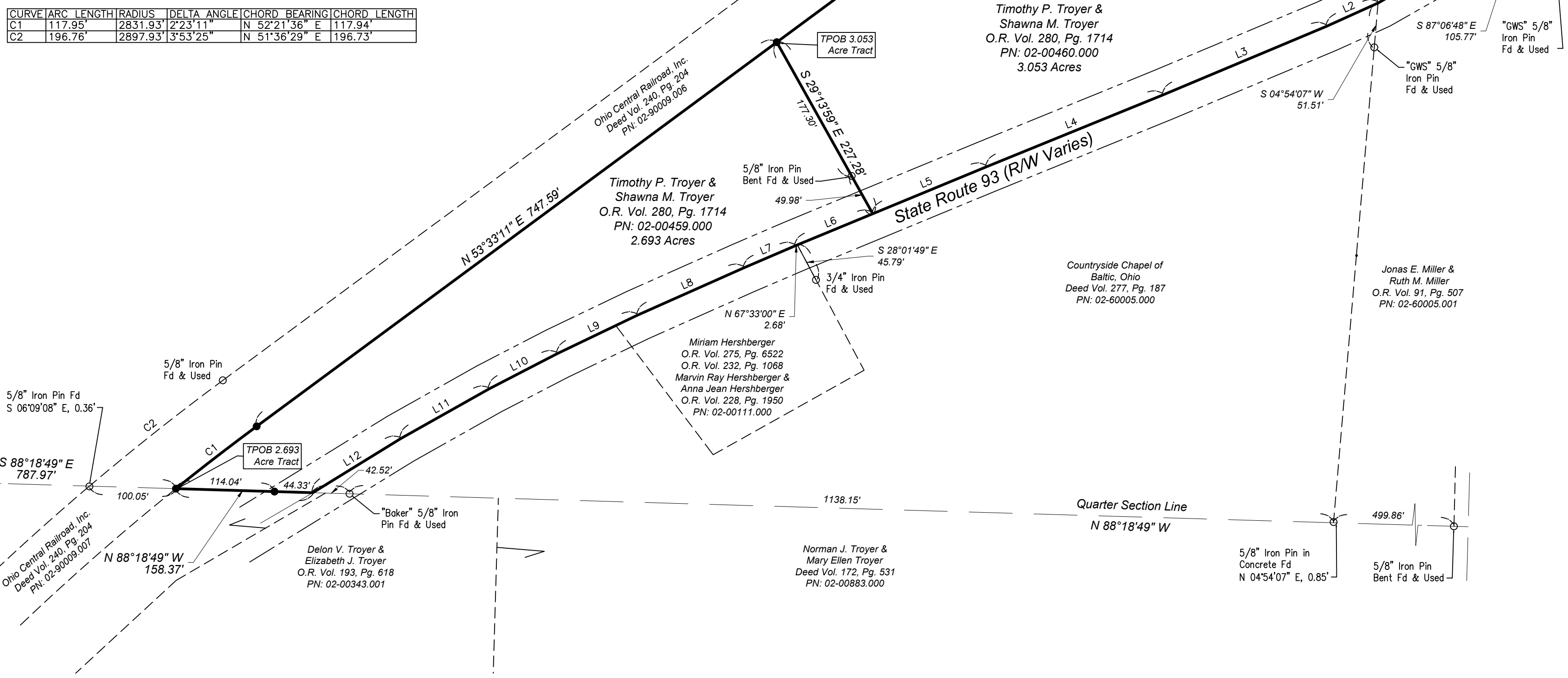
LINE	BEARING	DISTANCE
L1	S 60°22'13" W	115.00'
L2	S 65°40'06" W	65.20'
L3	S 67°15'12" W	205.21'
L4	S 67°50'33" W	220.52'
L5	S 67°33'00" W	142.11'
L6	S 67°33'00" W	97.00'
L7	S 66°48'39" W	64.47'
L8	S 66°01'13" W	134.81'
L9	S 64°23'05" W	102.85'
L10	S 62°39'02" W	88.79'
L11	S 60°38'04" W	117.27'
L12	S 58°23'38" W	119.25'

CURVE	ARC LENGTH	RADIUS	DELTA ANGLE	CHORD BEARING	CHORD LENGTH
C1	117.95'	2831.93'	2°23'11"	N 52°21'36" E	117.94'
C2	196.76'	2897.93'	3°53'25"	N 51°36'29" E	196.73'



Carodene Co.  
 O.R. Vol. 5, Pg. 188  
 PN: 02-00480.000

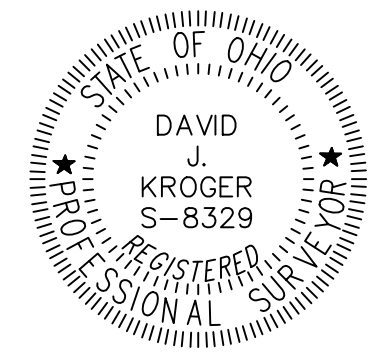
Detail "A"  
 Scale: 1"=1'



Section Line  
 SW Corner  
 NW Quarter  
 Section 17

This is to certify that, at the request of the owner, I have surveyed and platted the parcel of land shown hereon in accordance with the provisions of Chapter 4733-37 of the Ohio Administrative Code. Monuments were found or set as indicated hereon. Dimensions are expressed in US Survey Feet and decimal parts thereof. All of which I certify to be correct to the best of my knowledge and belief.

*David J. Kroger*  
 David J. Kroger Date 2/18/2022  
 Registered Professional Surveyor No. S-8329  
 State of Ohio



The Basis of Bearing is Ohio State Plane Coordinates,  
 North Zone, NAD 1983.

Iron pins set are 30" x 3/4" steel rod with plastic cap stamped "DIVERSIFIED ENGINEERING".

Reference used:  
 County Auditor's Tax Maps  
 Deeds as noted hereon  
 Surveys on File at the County Map Office

- R/W - Right-of-Way
- ℙ - Property Line
- ℄ - Centerline
- POB - Place/Point of Beginning
- TPOB - True Place/Point of Beginning
- R&U - Record & Used
- C - Calculated
- M - Measured
- R - Record
- - Iron Pin Set
- ▲ - Drill Hole or Railroad Spike Set
- - Iron Pin Found
- ⊙ - Iron Pipe Found
- ⊕ - Monument Found as Noted
- - Stone Monument Found



APPROVED FOR TRANSFER ONLY  
 NO SUBDIVISION PLAT REQUIRED  
 (O.R.C. 711.001 & 711.131)  
 Lot(s) not for building unless approved by Board of Health  
 HOLMES CO. PLANNING COMMISSION  
 By TS Date 3/21/2022

ISSUE DATE	02/07/22	SCALE	1" = 100'
SURVEYED BY	BM	DATE	03/18/19
DRAWN BY	JCL / LDB	DATE	03/20/19
CHECKED BY	DJK	DATE	02/07/22
FILE ID:	DEI-7549		



PLAT OF SURVEY  
 Timothy P. & Shawna M. Troyer  
 2241 State Route 93  
 Baltic, Ohio 43804

SHEET NO:  
 1 / 1

Plat Approved  
 Holmes County Map Office  
 2/23/2022 BH

C:\Users\jcroger\Desktop\DEI-7549.dwg, 2/18/2022, 2:53 PM