

MAP OF SURVEY

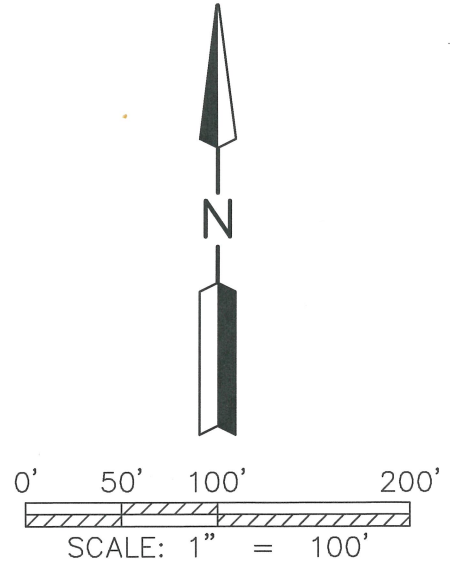
SE QUARTER OF SECTION 1
T-8-N; R-7-W
MECHANIC TOWNSHIP
HOLMES COUNTY, OHIO

202100013803
B: 19 P: 4313
FILED FOR RECORD IN
HOLMES COUNTY, OH
ANITA HALL, COUNTY RECORDER
02/26/2021 12:35 PM
SMALL PLAT . 40.00
PAGES: 1
ORV 276 PGS 8 & 11

- ▲ RAILROAD SPIKE FOUND
- CAPPED PIN FOUND WITH I.D. CAP MARKED "BAKER" (UNLESS NOTED)
- 5/8" REBAR SET WITH I.D. CAP MARKED "SJL INC"

QTR. SECTION LINE

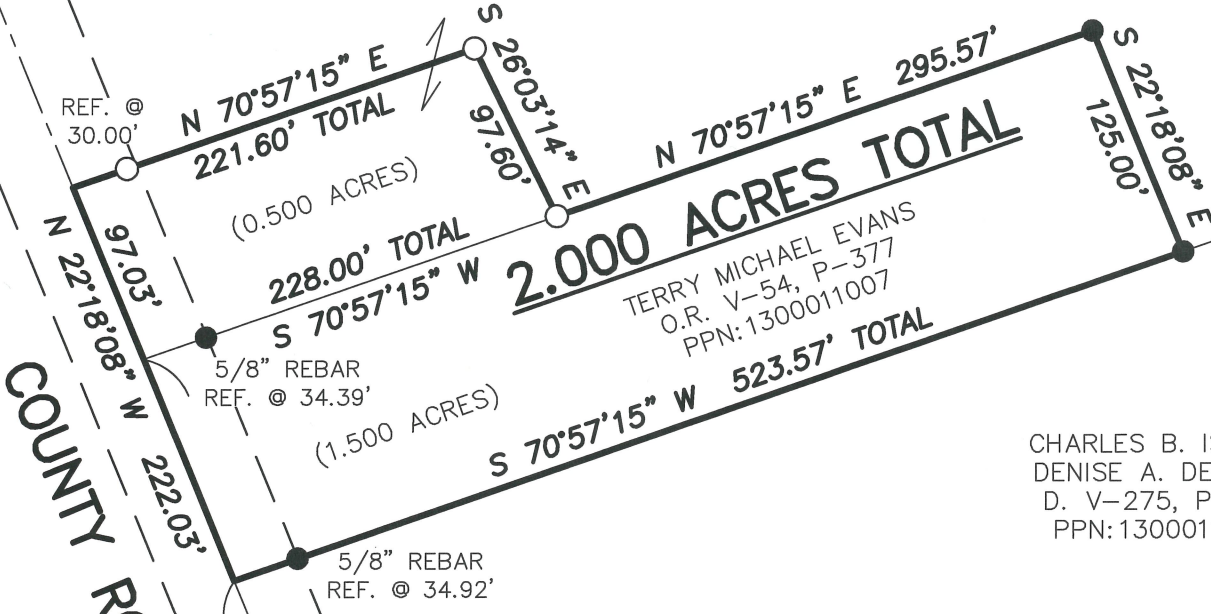
5/8" REBAR



JUSTIN T. EVANS
O.R. V-255, P-3083
PPN: 1300011006

TERRY MICHAEL EVANS
O.R. V-54, P-377
PPN: 1300011007

CHARLES B. ISON &
DENISE A. DEITRICH
D. V-275, P-483
PPN: 1300011005



COUNTY ROAD 58

R/W
N 22°18'08" W 388.14'
N 22°18'08" W 513.14'

S 01°09'55" W 367.50'

SECTION LINE

MASTER PLAT

THE PURPOSE OF THIS SURVEY

- ACTION 1) TRANSFER 0.500 ACRE PARCEL FROM JUSTIN T. EVANS TO TERRY MICHAEL EVANS.
- ACTION 2) COMBINE THE EXISTING 1.500 ACRE WITH THE 0.500 ACRE TO CREATE A NEW 2.000 ACRE PARCEL.

APPROVED FOR TRANSFER ONLY
NO SUBDIVISION PLAT REQUIRED
(O.R.C. 711.001 & 711.131)
Lot(s) not for building unless approved by Board of Health
HOLMES CO. PLANNING COMMISSION
By AO Date 1/5/2021



Plat Approved

Holmes County Map Office

1/5/2021 Rg

REFERENCE SURVEY:
PV 10-835, PV 16-237, PV 16-246,
PV 16-738, PV 17-540

BASIS OF BEARING:
THE BEARINGS AS SHOWN HEREON
ARE RELATIVE TO GRID NORTH OF
THE OHIO STATE PLANE COORDINATE
SYSTEM, NAD 83 DATUM

Distances shown hereon are expressed in feet and decimal parts thereof, bearings are used to express angles only, iron pins or monuments were found or set as indicated hereon. All of which I believe to be correct to the best of my knowledge.

By: Jason J. Lingenfelter 12-14-20
JASON J. LINGENFELTER, P.S. #8499 DATE

