

RETRACEMENT SURVEY OF D.V. 176-266 & O.R. 207-3151

RIPLEY TOWNSHIP
N.W. & N.E. QTRS. SECTION 30
T-18 N; R-14 W
HOLMES COUNTY, OHIO

SURVEYED FOR: HEATHER REUTTER

REFERENCES

DEED VOL. 176 PAGE 266
DEED VOL. 203 PAGE 456
O.R. VOL. 207 PAGE 3151
PLAT VOL. 2 PAGE 460
BEARINGS FROM PLAT VOL. 2 PAGE 460

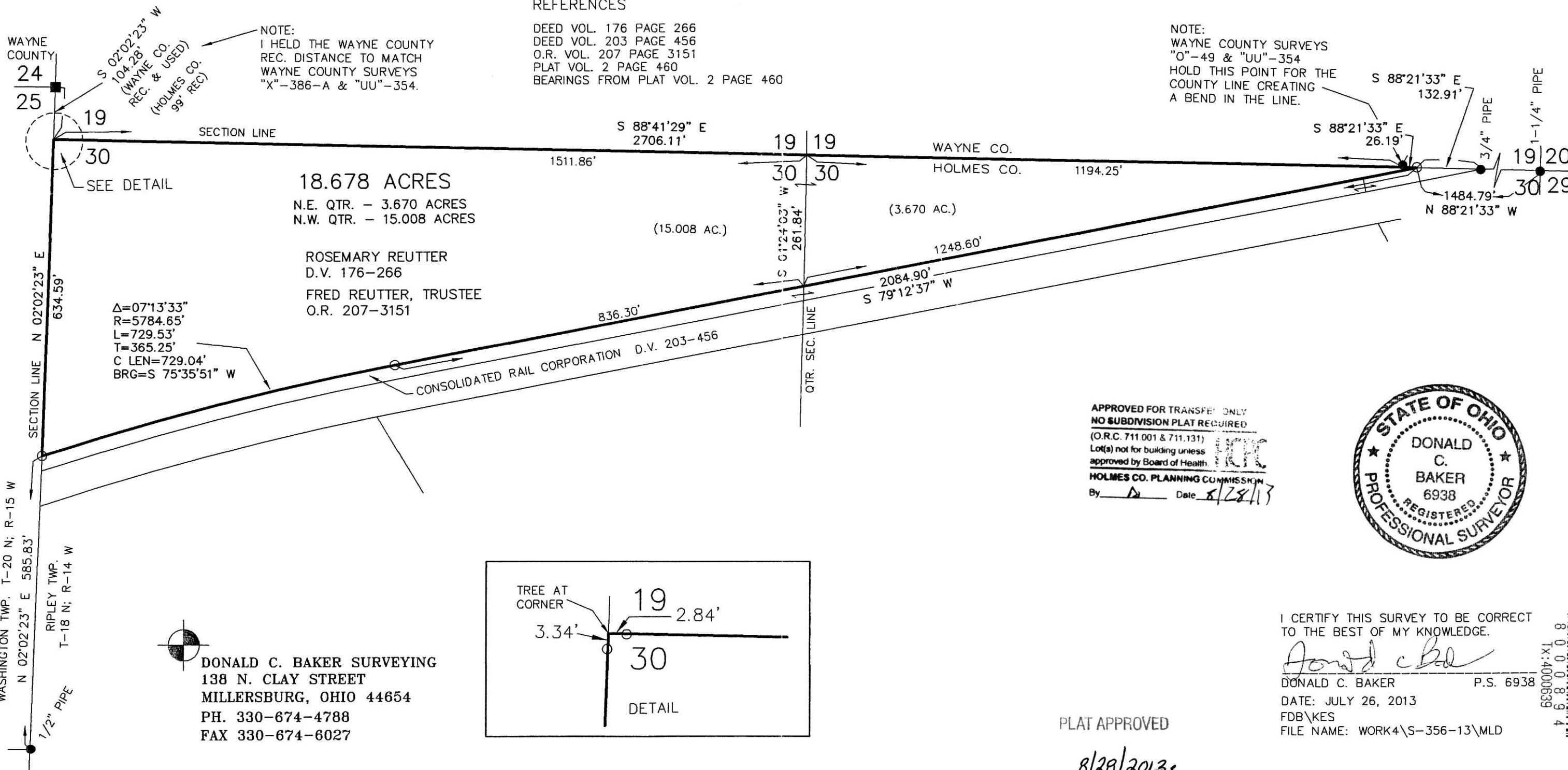
NOTE:
WAYNE COUNTY SURVEYS
"O"-49 & "UU"-354
HOLD THIS POINT FOR THE
COUNTY LINE CREATING
A BEND IN THE LINE.

0 200 400



SCALE: 1"=200'

- STONE FOUND
- 5/8" REBAR FOUND UNLESS OTHERWISE NOTED
- 5/8" REBAR SET WITH I.D. CAP I.D. CAP MARKED "BAKER 6938"



NOTE:
I HELD THE WAYNE COUNTY
REC. DISTANCE TO MATCH
WAYNE COUNTY SURVEYS
"X"-386-A & "UU"-354.

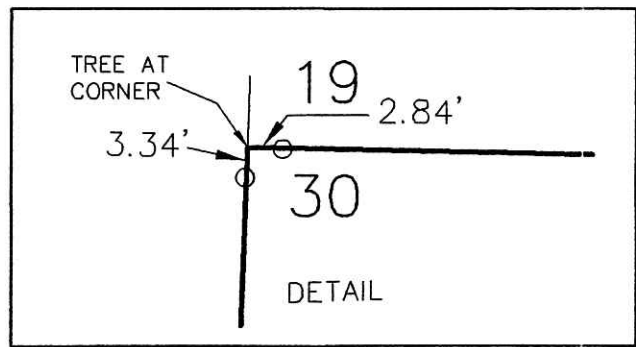
$\Delta=07^{\circ}13'33''$
 $R=5784.65'$
 $L=729.53'$
 $T=365.25'$
 $C\ LEN=729.04'$
 $BRG=S\ 75^{\circ}35'51''\ W$

APPROVED FOR TRANSFER ONLY
NO SUBDIVISION PLAT REQUIRED
(O.R.C. 711.001 & 711.131)
Lot(s) not for building unless
approved by Board of Health.
HOLMES CO. PLANNING COMMISSION
By Date 8/28/13



I CERTIFY THIS SURVEY TO BE CORRECT
TO THE BEST OF MY KNOWLEDGE.

Donald C. Baker
DONALD C. BAKER P.S. 6938
DATE: JULY 26, 2013
FDB/KES
FILE NAME: WORK4\S-356-13\MLD



DONALD C. BAKER SURVEYING
138 N. CLAY STREET
MILLERSBURG, OHIO 44654
PH. 330-674-4788
FAX 330-674-6027

PLAT APPROVED

8/28/2013