

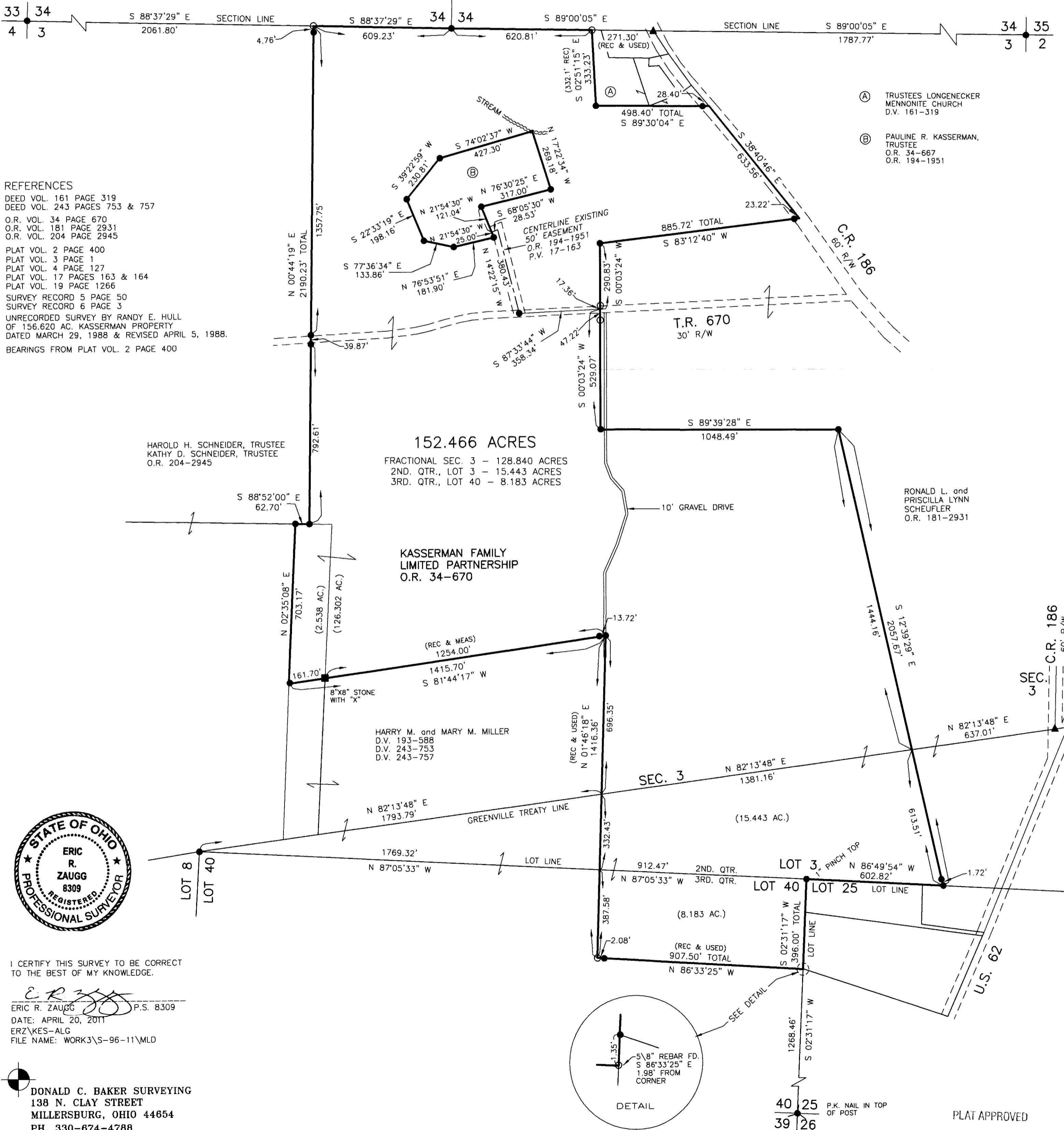
- STONE FOUND
- ▲ P.K. NAIL FOUND
- ▲ R.R. SPIKE FOUND
- 5/8" REBAR FOUND UNLESS OTHERWISE NOTED
- 5/8" REBAR SET WITH I.D. CAP I.D. CAP MARKED "BAKER 6938"

RETRACEMENT SURVEY OF O.R. 34-670
 PAINT TOWNSHIP
 FRACTIONAL SECTION 3
 T-14 N; R-11 W
 2ND. QTR., LOT 3
 3RD. QTR., LOT 40
 T-10 N; R-4 W
 HOLMES COUNTY, OHIO

201100071849
 Filed for Record in
 HOLMES COUNTY, OH
 ANITA HALL, COUNTY RECORDER
 06-13-2011 At 02:13 pm.
 PLAT MED 43.20
 OR Book 19 Page 1852 - 1852
 ORV 226 page 2361

SURVEYED FOR: PAULINE KASSERMAN

201100071849
 HOLMES COUNTY TITLE
 MILLERSBURG OH 44654



- REFERENCES
- DEED VOL. 161 PAGE 319
 - DEED VOL. 243 PAGES 753 & 757
 - O.R. VOL. 34 PAGE 670
 - O.R. VOL. 181 PAGE 2931
 - O.R. VOL. 204 PAGE 2945
 - PLAT VOL. 2 PAGE 400
 - PLAT VOL. 3 PAGE 1
 - PLAT VOL. 4 PAGE 127
 - PLAT VOL. 17 PAGES 163 & 164
 - PLAT VOL. 19 PAGE 1266
 - SURVEY RECORD 5 PAGE 50
 - SURVEY RECORD 6 PAGE 3
 - UNRECORDED SURVEY BY RANDY E. HULL OF 156.620 AC. KASSERMAN PROPERTY DATED MARCH 29, 1988 & REVISED APRIL 5, 1988.
 - BEARINGS FROM PLAT VOL. 2 PAGE 400

HAROLD H. SCHNEIDER, TRUSTEE
 KATHY D. SCHNEIDER, TRUSTEE
 O.R. 204-2945

152.466 ACRES
 FRACTIONAL SEC. 3 - 128.840 ACRES
 2ND. QTR., LOT 3 - 15.443 ACRES
 3RD. QTR., LOT 40 - 8.183 ACRES

KASSERMAN FAMILY
 LIMITED PARTNERSHIP
 O.R. 34-670

HARRY M. and MARY M. MILLER
 D.V. 193-588
 D.V. 243-753
 D.V. 243-757

- (A) TRUSTEES LONGENECKER MENNONITE CHURCH D.V. 161-319
- (B) PAULINE R. KASSERMAN, TRUSTEE O.R. 34-667 O.R. 194-1951

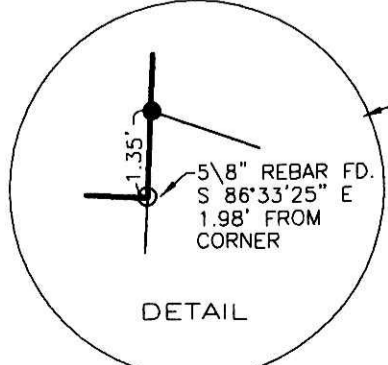
RONALD L. and PRISCILLA LYNN SCHEUFLER
 O.R. 181-2931



I CERTIFY THIS SURVEY TO BE CORRECT TO THE BEST OF MY KNOWLEDGE.

ERIC R. ZAUGG P.S. 8309
 DATE: APRIL 20, 2011
 ERZ\KES-ALG
 FILE NAME: WORK3\S-96-11\MLD

DONALD C. BAKER SURVEYING
 138 N. CLAY STREET
 MILLERSBURG, OHIO 44654
 PH. 330-674-4788
 FAX 330-674-6027



P.K. NAIL IN TOP OF POST

PLAT APPROVED

6/8/2011