

RETRACEMENT SURVEY OF D.V. 140-374, D.V. 141-237 & D.V. 248-519

KNOX TOWNSHIP
N.E. & N.W. QTR. SECTION 19
T-17 N; R-14 W
HOLMES COUNTY, OHIO

SURVEYED FOR: JULIA A. LEININGER TRUST

REFERENCES

DEED VOL. 140 PAGE 374
DEED VOL. 141 PAGE 237
DEED VOL. 248 PAGE 519
DEED VOL. 272 PAGE 925

O.R. VOL. 140 PAGE 862
O.R. VOL. 171 PAGE 813
O.R. VOL. 191 PAGE 2416
O.R. VOL. 195 PAGE 968
O.R. VOL. 202 PAGE 2952
O.R. VOL. 204 PAGE 1553

PLAT VOL. 5 PAGE 35
PLAT VOL. 7 PAGES 295 & 398
PLAT VOL. 10 PAGE 236
PLAT VOL. 11 PAGE 21
PLAT VOL. 14 PAGE 452
PLAT VOL. 18 PAGE 545
PLAT VOL. 19 PAGE 1185

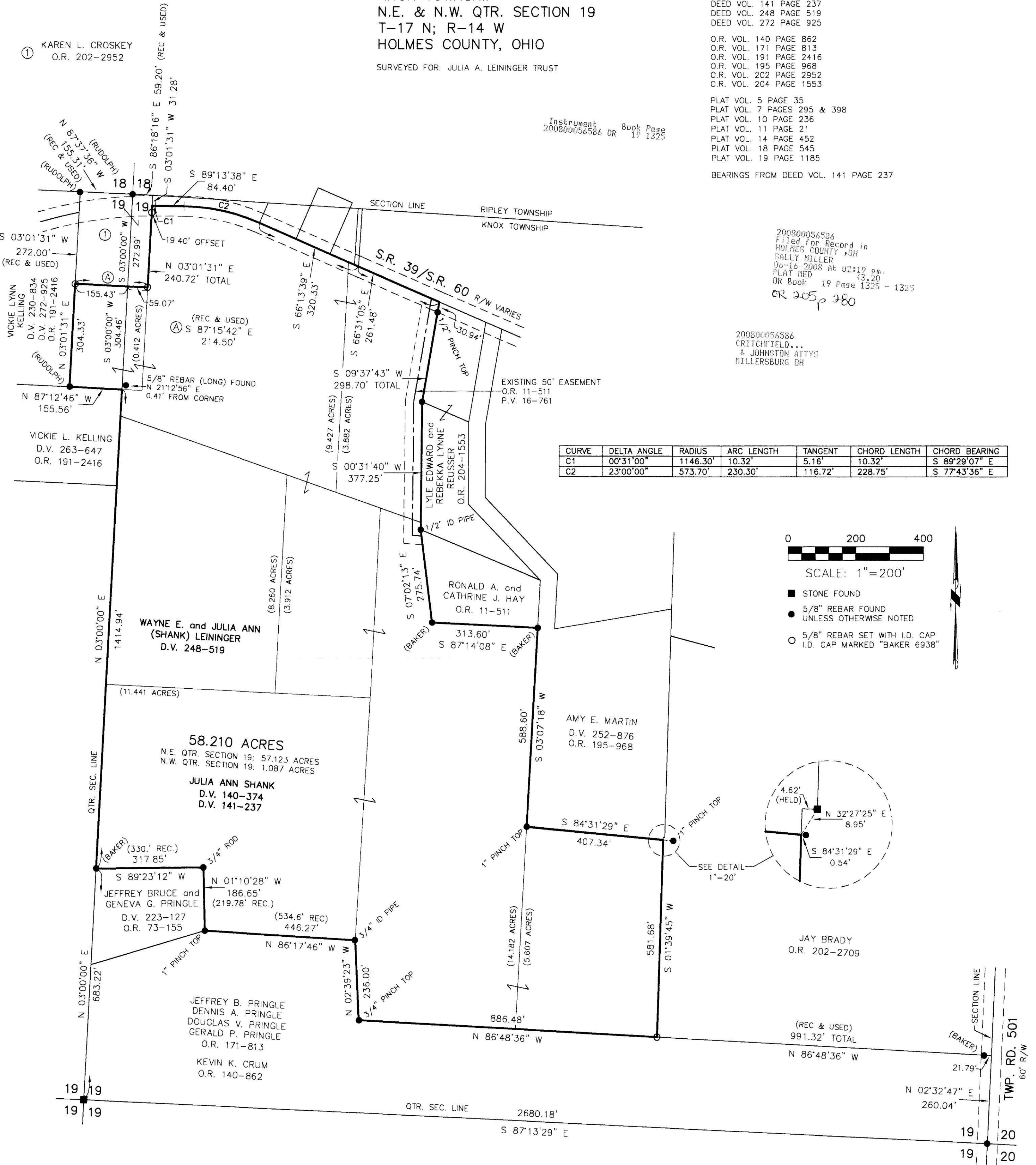
BEARINGS FROM DEED VOL. 141 PAGE 237

① KAREN L. CROSKY
O.R. 202-2952

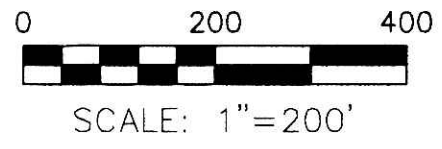
Instrument
200800056586 DR Book Page
19 1325

200800056586
Filed for Record in
HOLMES COUNTY, OH
SALLY MILLER
06-16-2008 At 02:19 PM
PLAT MED 43.20
DR Book 19 Page 1325 - 1325
CR 205 p 780

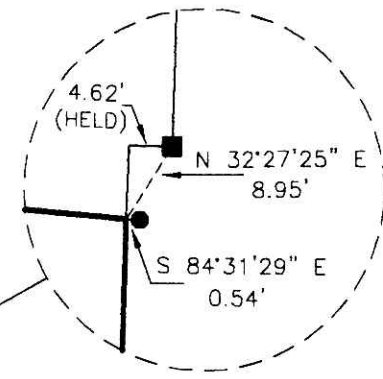
200800056586
CRITCHFIELD...
& JOHNSTON ATTYS
MILLERSBURG OH



CURVE	DELTA ANGLE	RADIUS	ARC LENGTH	TANGENT	CHORD LENGTH	CHORD BEARING
C1	00°31'00"	1146.30'	10.32'	5.16'	10.32'	S 89°29'07" E
C2	23°00'00"	573.70'	230.30'	116.72'	228.75'	S 77°43'36" E



- STONE FOUND
- 5/8" REBAR FOUND UNLESS OTHERWISE NOTED
- 5/8" REBAR SET WITH I.D. CAP I.D. CAP MARKED "BAKER 6938"



I CERTIFY THIS SURVEY TO BE CORRECT TO THE BEST OF MY KNOWLEDGE.

Donald C. Baker
DATE: MAY 19, 2008
KES\ALG-FDB
FILE NAME: WORK4\S-72-08\ERZ



DONALD C. BAKER SURVEYING
138 N. CLAY STREET
MILLERSBURG, OHIO 44654
PH. 330-674-4788
FAX 330-674-6027

PLAT APPROVED

Handwritten signature/initials