

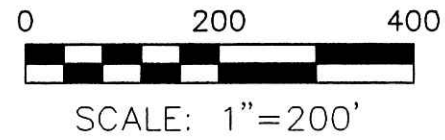
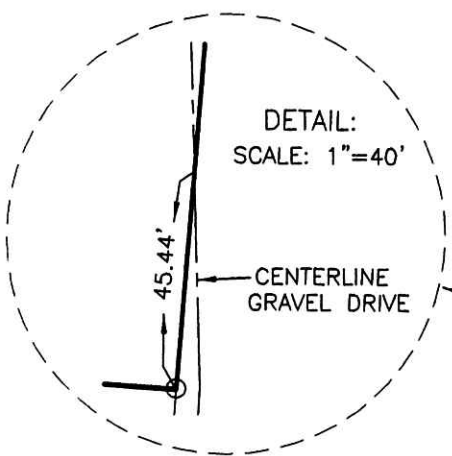
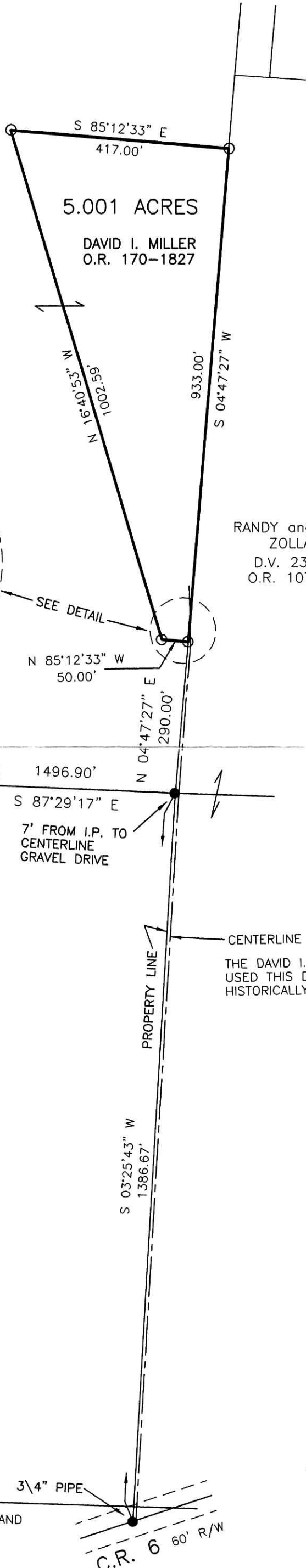
RICHLAND TOWNSHIP  
 S.E. QTR. SECTION 10  
 N.E. QTR. SECTION 11  
 T-8 N; R-9 W  
 HOLMES COUNTY, OHIO  
 SURVEYED FOR: ED MILLER

Instrument Book Page  
 200700049642 OR 19 1001

200700049642  
 Filed for Record in  
 HOLMES COUNTY, OH  
 SALLY MILLER  
 04-30-2007 At 03:19 pm.  
 SMALL PLAT 40.00  
 OR Book 19 Page 1001 - 1001

OR 196 p 1869

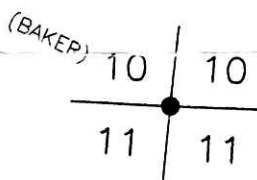
REFERENCES  
 DEED VOL. 242 PAGE 5  
 O.R. VOL. 107 PAGE 474  
 O.R. VOL. 170 PAGE 1827  
 PLAT VOL. 17 PAGE 680  
 BEARINGS ASSUMED



- 5/8" REBAR FOUND UNLESS OTHERWISE NOTED
- 5/8" REBAR SET WITH I.D. CAP I.D. CAP MARKED "BAKER 6938"

RANDY and KARLA  
 ZOLLARS  
 D.V. 232-47  
 O.R. 107-474

200700049642  
 FRENCH RIDGE  
 TITLE  
 MILLERSBURG OH



DONALD D. AND  
 GRETA C. SNYDER  
 D.V. 242-5

CENTERLINE EXISTING DRIVE  
 THE DAVID I. MILLER PROPERTY HAS  
 USED THIS DRIVE FOR ITS ACCESS  
 HISTORICALLY.



I CERTIFY THIS SURVEY TO BE CORRECT  
 TO THE BEST OF MY KNOWLEDGE.

*Donald C. Baker*

DONALD C. BAKER P.S. 6938

DATE: APRIL 3, 2007

FDB\ALG

FILE NAME: WORK3\S-202-07\MLD

GARY L. AND SHARON E. AND  
 ZACHARY L. MORRIS  
 O.R. 173-3248

3/4" PIPE  
 C.R. 6 60' R/W



DONALD C. BAKER SURVEYING  
 138 N. CLAY STREET  
 MILLERSBURG, OHIO 44654  
 PH. 330-674-4788  
 FAX 330-674-6027

PLAT APPROVED

4/24/2007