

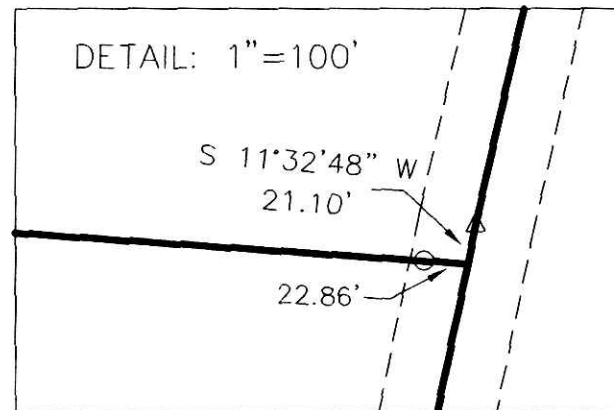
0 300 600

SCALE: 1"=300'

- ▲ R.R. SPIKE FOUND
- 5/8" REBAR FOUND UNLESS OTHERWISE NOTED
- 5/8" REBAR WITH I.D. CAP SET I.D. CAP MARKED "BAKER 6938"
- △ R.R. SPIKE SET

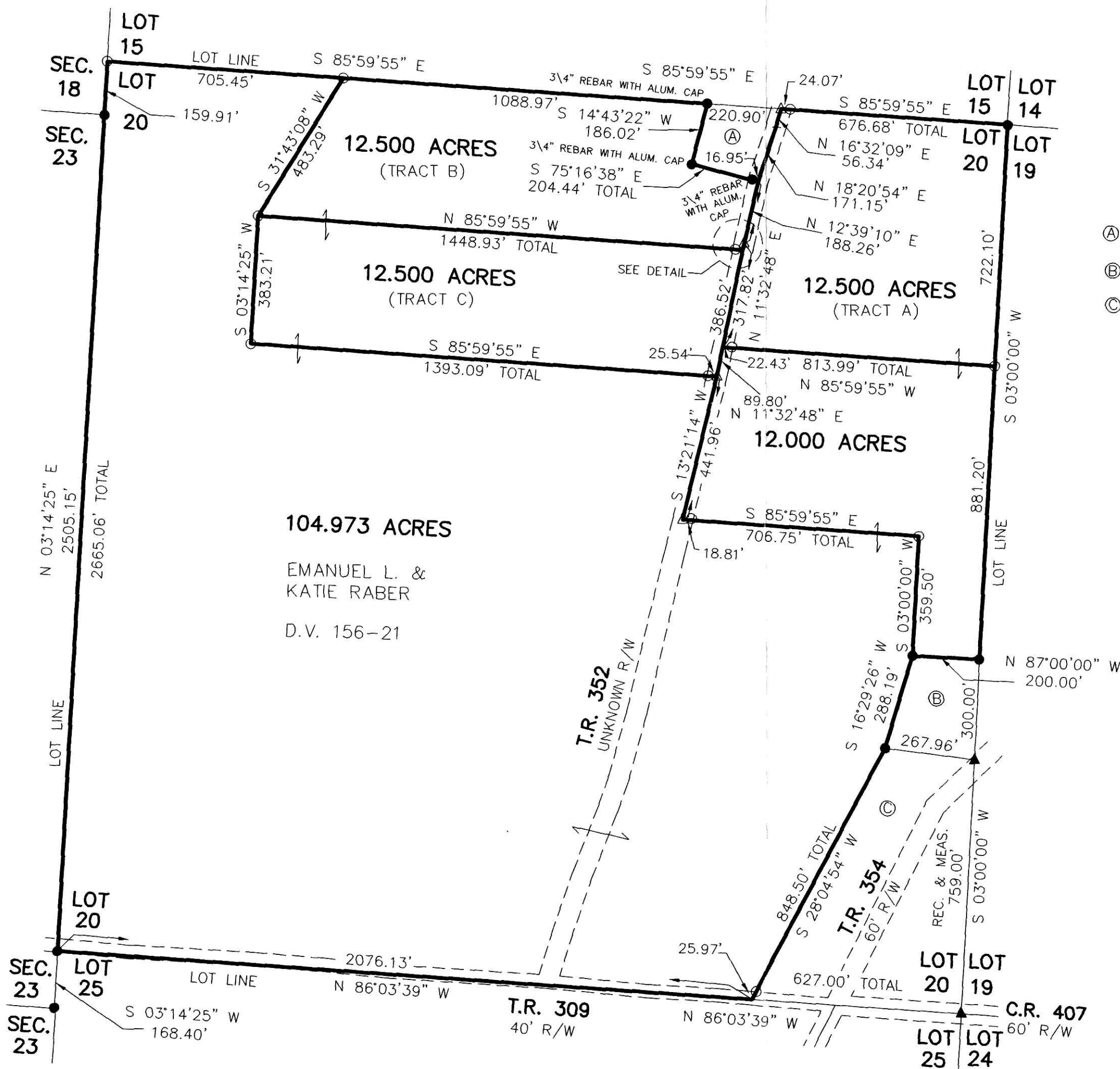
BERLIN TOWNSHIP  
4TH. QTR, LOT 20  
T-9 N; R-6 W  
HOLMES COUNTY, OHIO

SURVEYED FOR: JERRY RABER



Instrument Book Page  
200600047130 DR 19 883

200600047130  
Filed for Record in  
HOLMES COUNTY, OH  
SALLY MILLER  
12-06-2006 At 12:23 pm.  
PLAT MED 43.20  
DR Book 19 Page 883 - 883



- Ⓐ FERDINAND D. AND ESTHER J. STUTZMAN  
O.R. 54-535
- Ⓑ ERNIE E. AND JENNIFER J. RABER  
D.V. 278-92
- Ⓒ FERMAN I. AND EDNA TROYER  
D.V. 219-100

REFERENCES:  
DEED VOL. 219 PAGE 100  
DEED VOL. 156 PAGE 21  
DEED VOL. 278 PAGE 92  
O.R. VOL. 54 PAGE 535  
PLAT VOL. 16 PAGE 413

BEARINGS FROM PLAT VOL. 16 PAGE 413

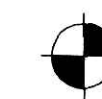


I CERTIFY THIS SURVEY TO BE CORRECT TO THE BEST OF MY KNOWLEDGE.

DONALD C. BAKER PS 6938  
KES\ALG DATE: OCTOBER 31, 2006  
File Name: C:\WORK\S-679-06\MLD

APPROVED FOR TRANSFER ONLY  
NO SUBDIVISION PLAT REQUIRED  
(O.R.C. 711.001 & 711.131)  
Lot(s) not for building unless  
approved by Board of Health,  
HOLMES CO. PLANNING COMM.

By AK Date 11/28/06



DONALD C. BAKER SURVEYING  
138 N. CLAY ST.  
MILLERSBURG, OH 44654  
PH. 330-674-4788  
FAX: 330-674-6027

PLAT APPROVED

11/28/2006