

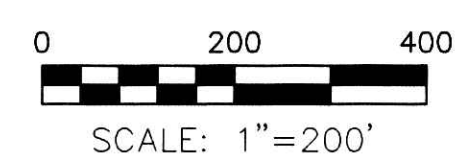
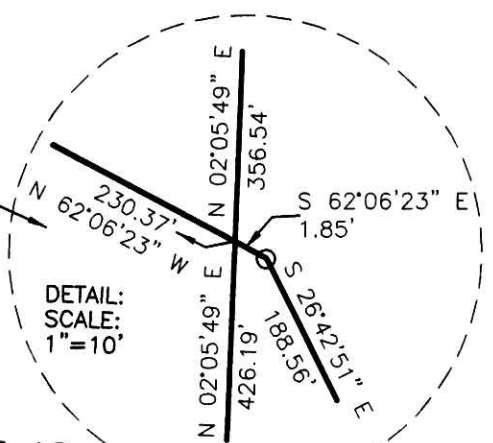
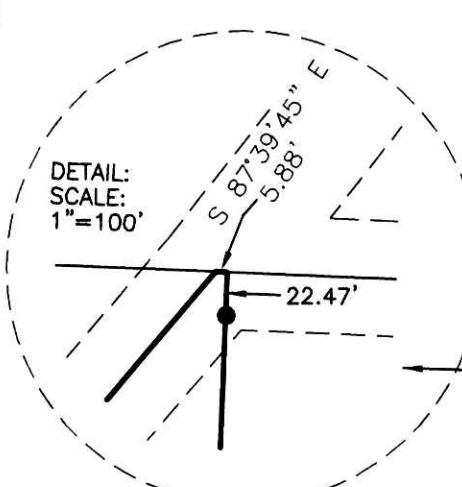
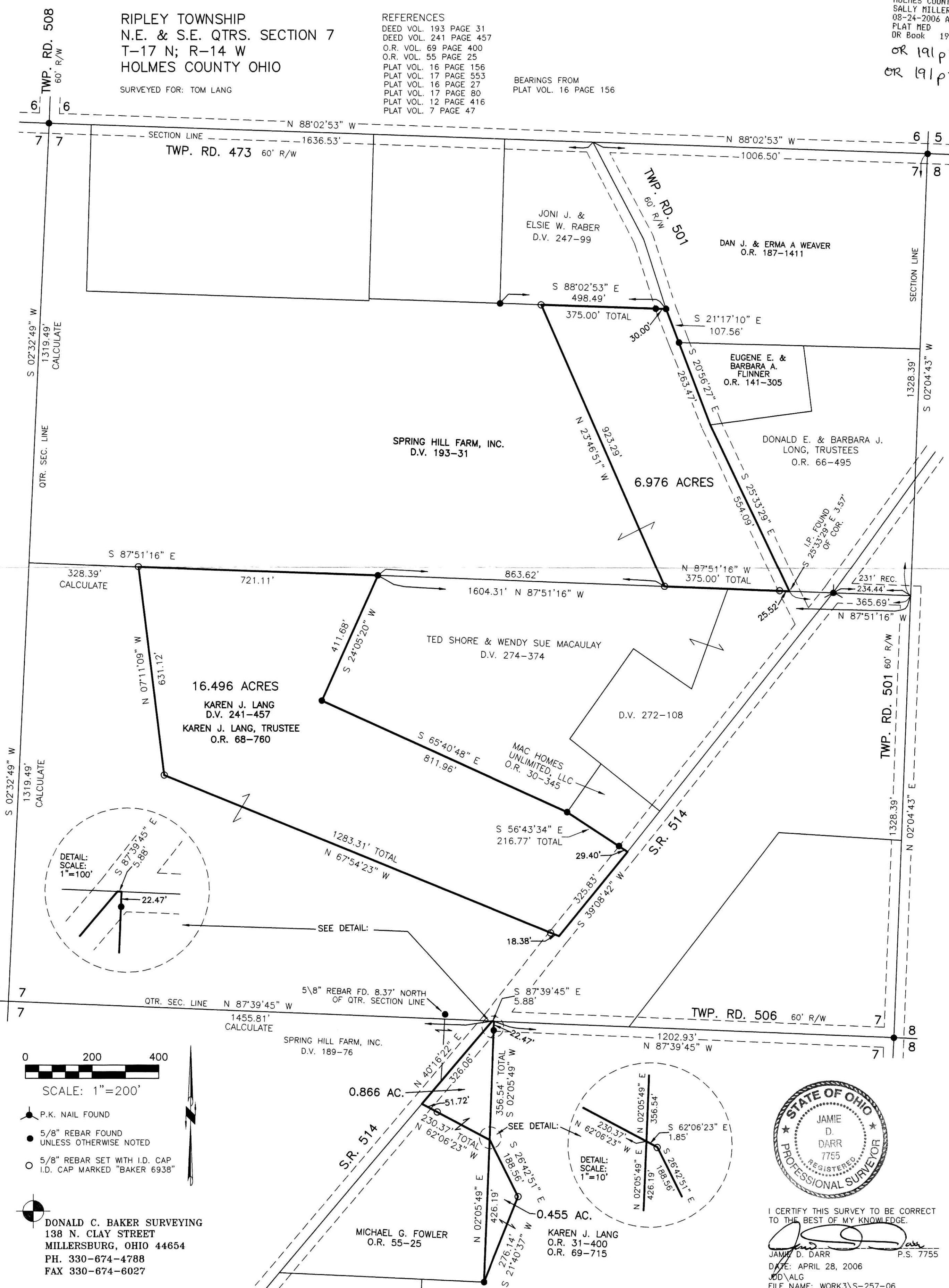
OR 191 p 766
OR 191 p 768

RIPLEY TOWNSHIP
N.E. & S.E. QTRS. SECTION 7
T-17 N; R-14 W
HOLMES COUNTY OHIO

SURVEYED FOR: TOM LANG

- REFERENCES
- DEED VOL. 193 PAGE 31
 - DEED VOL. 241 PAGE 457
 - O.R. VOL. 69 PAGE 400
 - O.R. VOL. 55 PAGE 25
 - PLAT VOL. 16 PAGE 156
 - PLAT VOL. 17 PAGE 553
 - PLAT VOL. 16 PAGE 27
 - PLAT VOL. 17 PAGE 80
 - PLAT VOL. 12 PAGE 416
 - PLAT VOL. 7 PAGE 47

BEARINGS FROM
PLAT VOL. 16 PAGE 156



- P.K. NAIL FOUND
- 5/8" REBAR FOUND UNLESS OTHERWISE NOTED
- 5/8" REBAR SET WITH I.D. CAP I.D. CAP MARKED "BAKER 6938"

DONALD C. BAKER SURVEYING
138 N. CLAY STREET
MILLERSBURG, OHIO 44654
PH. 330-674-4788
FAX 330-674-6027



I CERTIFY THIS SURVEY TO BE CORRECT TO THE BEST OF MY KNOWLEDGE.

JAMIE D. DARR P.S. 7755
DATE: APRIL 28, 2006
JDD\ALG
FILE NAME: WORK3\S-257-06

PLAT APPROVED

5/16/2006