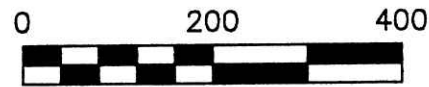


RICHLAND TOWNSHIP
S.E. QTR. SECTION 8
T-8 N; R-9 W
HOLMES COUNTY, OHIO

SURVEYED FOR: ED CRIDER

200500037637
Filed for Record in
HOLMES COUNTY, OH
SALLY MILLER
06-30-2005 At 03:26 pm.
SMALL PLAT 40.00
OR Book 19 Page 443 - 443
OR 181 page 1226



SCALE: 1"=200'

- 5/8" REBAR FOUND
UNLESS OTHERWISE NOTED
- STONE FOUND
- 5/8" REBAR WITH I.D. CAP SET
I.D. CAP MARKED "BAKER 6938"

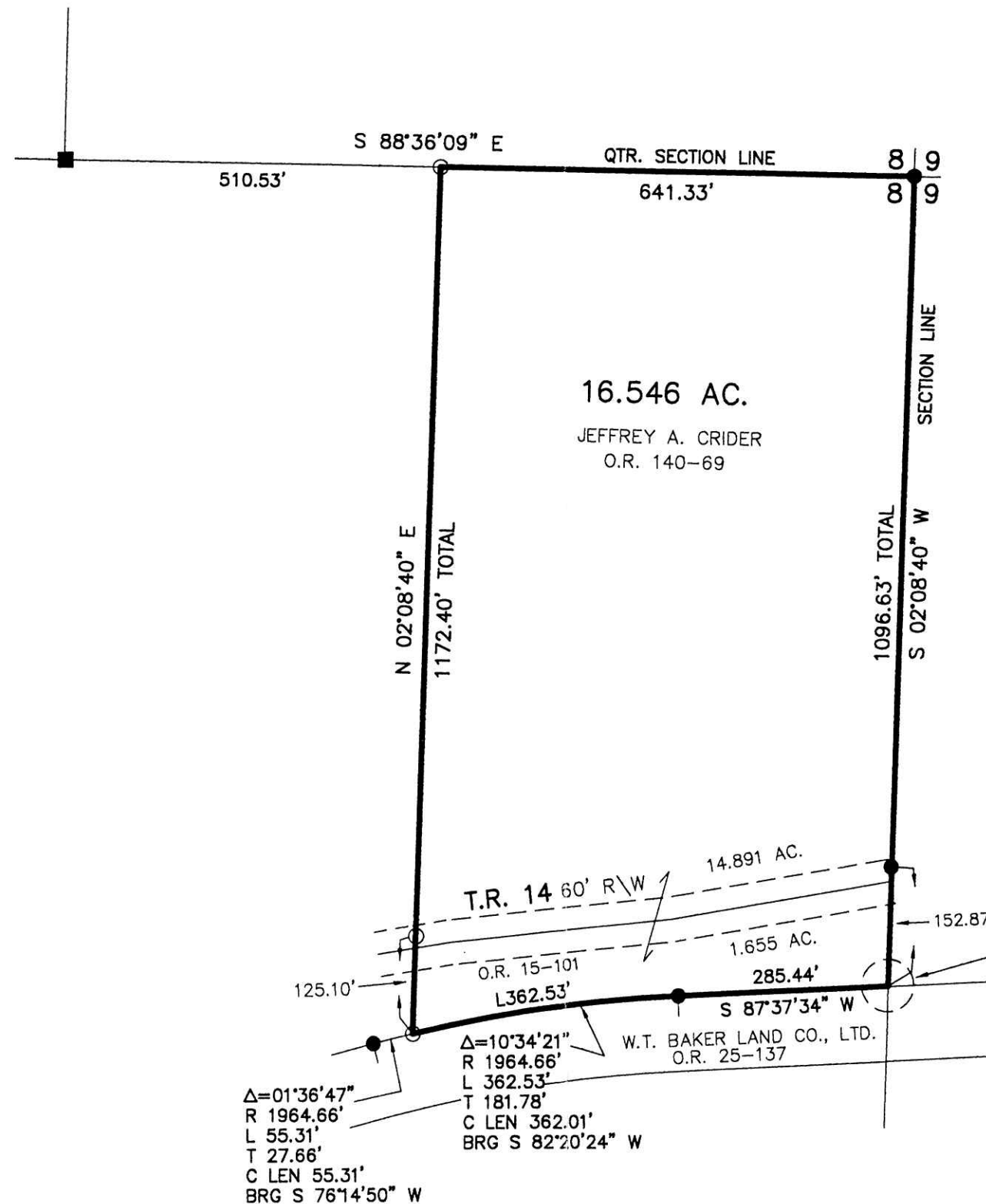


I CERTIFY THIS SURVEY TO BE CORRECT
TO THE BEST OF MY KNOWLEDGE.

Donald C. Baker

DONALD C. BAKER P.S. 6938
DATE: NOV. 15, 2004

FDB\AEG
File Name: WORK2\S-760-04

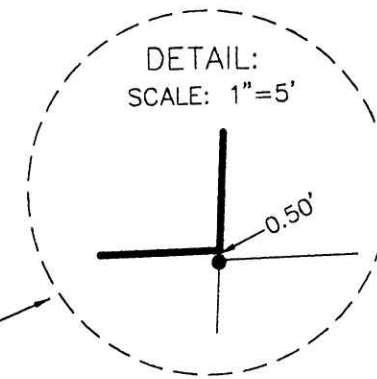


REFERENCES

- O.R. VOL. 140 PAGE 69
- O.R. VOL. 15 PAGE 101
- O.R. VOL. 25 PAGE 137
- PLAT VOL. 13 PAGE 142
- PLAT VOL. 16 PAGE 831
- PLAT VOL. 15 PAGE 96

BEARINGS FROM PLAT VOL 15 PAGE 96

200500037637
JEFFREY A. CRIDER
249 PATRICKJOHN DR
WADSWORTH, OH 44281



PLAT APPROVED

3/24/2005 DB



DONALD C. BAKER SURVEYING
138 N. CLAY ST.
MILLERSBURG, OHIO, 44654
PH. 330-674-4788
FAX. 330-674-6027