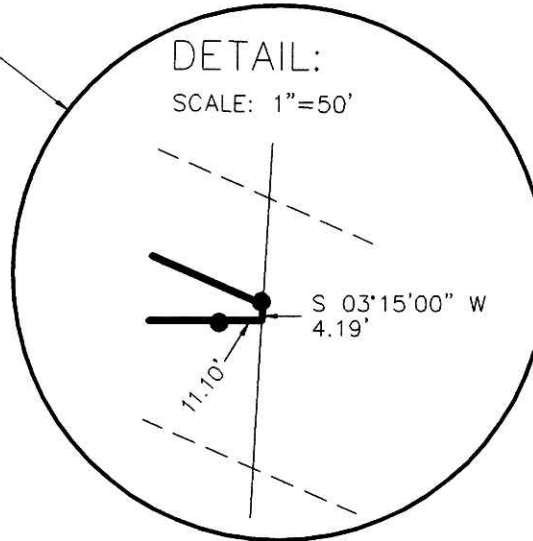
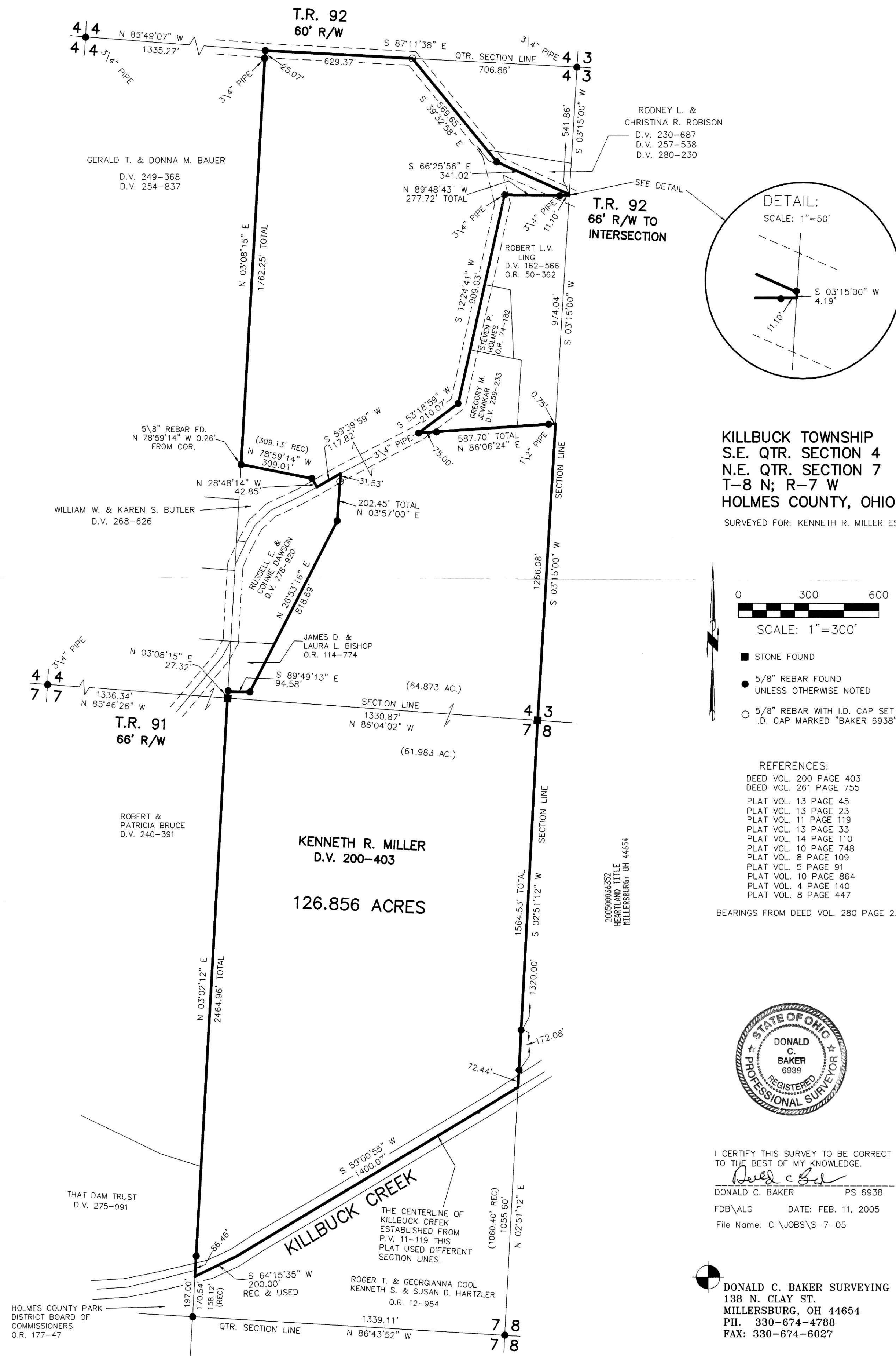
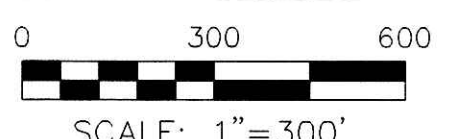


200500036352  
Filed for Record in  
HOLMES COUNTY, OH  
SALLY MILLER  
04-26-2005 At 10:26 am.  
PLAT MED 43.20  
OR Book 19 Page 374 - 374  
or v 179 page 2427



**KILLBUCK TOWNSHIP**  
**S.E. QTR. SECTION 4**  
**N.E. QTR. SECTION 7**  
**T-8 N; R-7 W**  
**HOLMES COUNTY, OHIO**

SURVEYED FOR: KENNETH R. MILLER ESTATE



- STONE FOUND
- 5/8" REBAR FOUND UNLESS OTHERWISE NOTED
- 5/8" REBAR WITH I.D. CAP SET, I.D. CAP MARKED "BAKER 6938"

**REFERENCES:**  
DEED VOL. 200 PAGE 403  
DEED VOL. 261 PAGE 755  
PLAT VOL. 13 PAGE 45  
PLAT VOL. 13 PAGE 23  
PLAT VOL. 11 PAGE 119  
PLAT VOL. 13 PAGE 33  
PLAT VOL. 14 PAGE 110  
PLAT VOL. 10 PAGE 748  
PLAT VOL. 8 PAGE 109  
PLAT VOL. 5 PAGE 91  
PLAT VOL. 10 PAGE 864  
PLAT VOL. 4 PAGE 140  
PLAT VOL. 8 PAGE 447

BEARINGS FROM DEED VOL. 280 PAGE 230



I CERTIFY THIS SURVEY TO BE CORRECT TO THE BEST OF MY KNOWLEDGE.  
*Donald C. Baker*  
DONALD C. BAKER PS 6938  
FDB\ALG DATE: FEB. 11, 2005  
File Name: C:\JOBS\S-7-05

**DONALD C. BAKER SURVEYING**  
138 N. CLAY ST.  
MILLERSBURG, OH 44654  
PH. 330-674-4788  
FAX: 330-674-6027

PLAT APPROVED

4/19/2005