

CLARK TOWNSHIP
S.W. QTR. SECTION 16
T-8 N; R-5 W
HOLMES COUNTY, OHIO

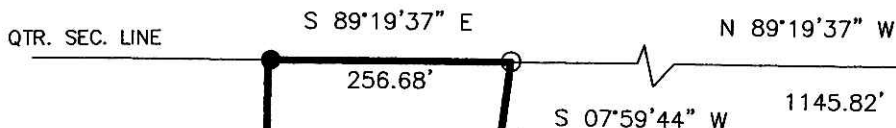
SURVEYED FOR: IVAN BARKMAN

REFERENCES

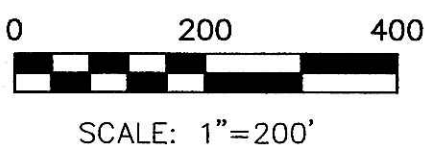
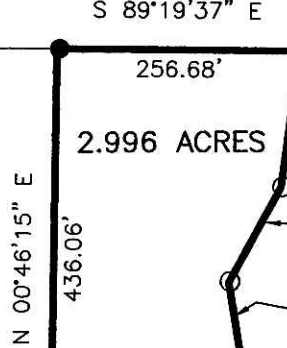
- DEED VOL. 235 PAGE 521
- O.R. VOL. 47 PAGE 759
- PLAT VOL. 17 PAGE 401
- BEARINGS FROM PLAT VOL 17 PAGE 401

VOL 0019 PAGE 074

200400030651
Filed for Record in
HOLMES COUNTY, OH
SALLY MILLER
05-19-2004 At 12:25 pm.
SMALL PLAT 40.00
OR Book 19 Page 74 - 74
OR Vol 172 page 1283



SYLVANUS M. &
KATIE ANN
RABER
D.V. 216-323



- 5/8" REBAR FOUND UNLESS OTHERWISE NOTED
- 5/8" REBAR WITH I.D. CAP SET I.D. CAP MARKED "BAKER 6938"
- △ R.R. SPIKE SET

200400030651
IVAN M OR CATHERINE BARKMAN
2011 TOWNSHIP RD 152
BALTIMORE, OH 43804

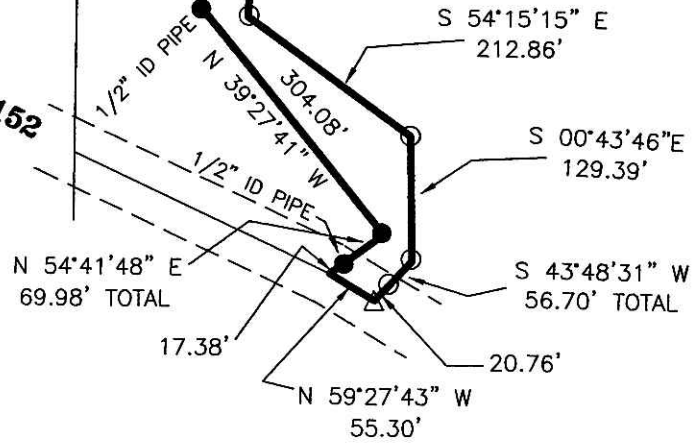
DANIEL M. &
LIZZIE ANN
BARKMAN
D.V. 235-521

IVAN M. & CATHERINE BARKMAN
O.R. 47-759

040079
APPROVED FOR TRANSFER ONLY.
NO SUBDIVISION PLAT REQUIRED
(O.R.C. 711.001 & 711.131)
Lot(s) not for building unless
approved by Board of Health.
HOLMES CO. PLANNING COMM.

By *me* Date 5/18/04

TWP. RD. 152
66' R/W



DONALD C. BAKER SURVEYING
138 N. CLAY ST.
MILLERSBURG, OHIO, 44654
PH. 330-674-4788
FAX. 330-674-6027

I CERTIFY THIS SURVEY TO BE CORRECT
TO THE BEST OF MY KNOWLEDGE.

Donald C Baker
DONALD C. BAKER P.S. 6938
DATE: APRIL 16, 2004

PLAT APPROVED

5/19/2004

FDB\ERZ
File Name: WORK2\S-199-04