

INDEXED

RICHLAND TOWNSHIP
N.E. QTR. SECTION 2
T-8 N; R-9 W
HOLMES COUNTY, OHIO

Instrument Book Page
200400029361 OR 19 15

SURVEYED FOR: BERT UNDERWOOD

REFERENCES:

O.R. VOL. 43 PAGE 226
O.R. VOL. 79 PAGE 83
PLAT VOL. 17 PAGE 319

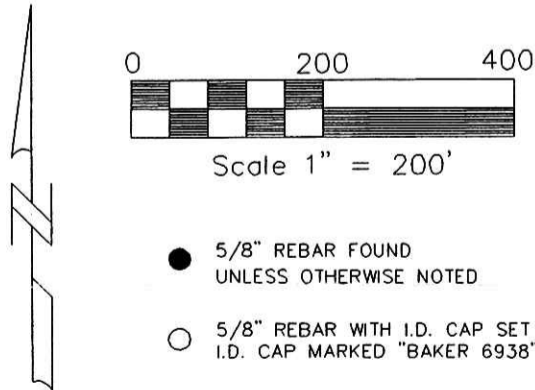
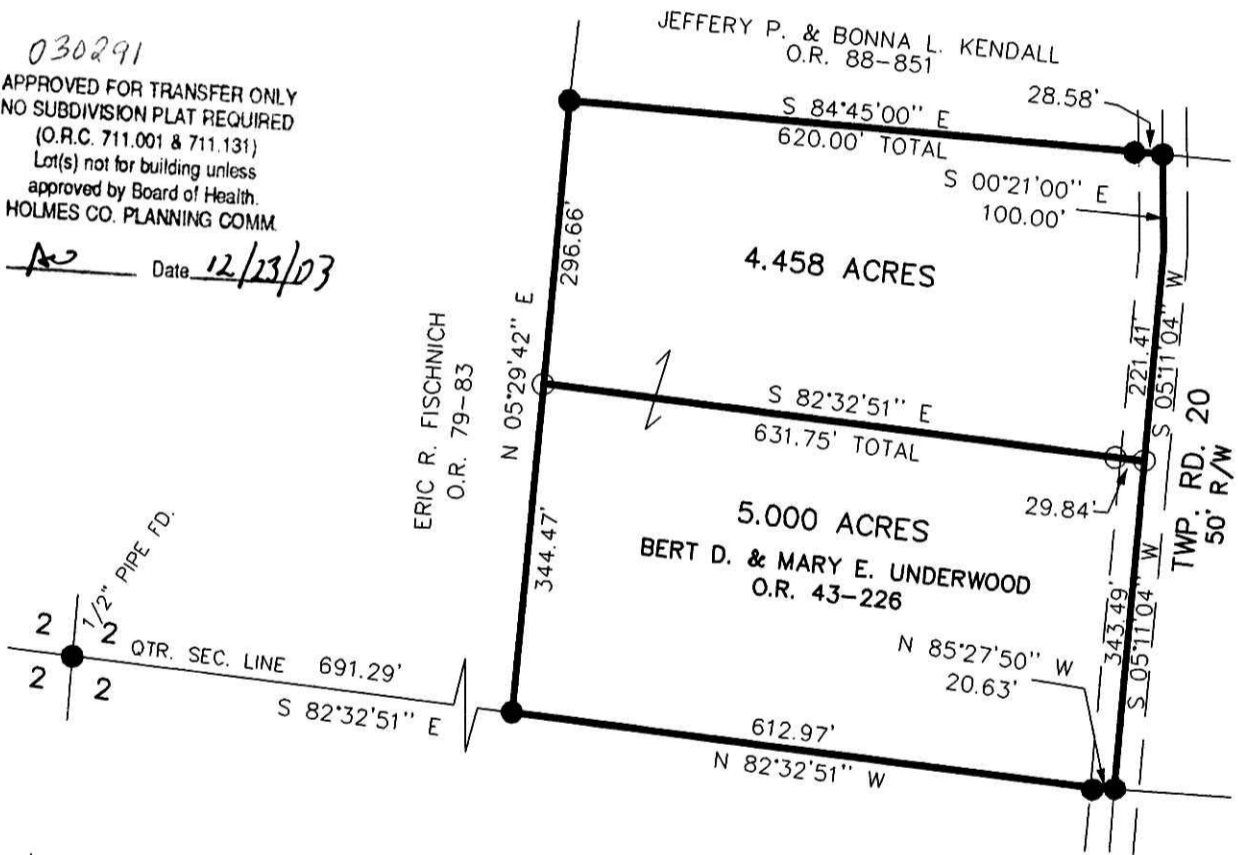
BEARINGS FROM PLAT VOL. 17 PAGE 319

200400029361
BLAIR A
BOWER ATTY
MILLERSBURG, OH

200400029361
Filed for Record in
HOLMES COUNTY, OH
SALLY MILLER
03-12-2004 At 03:18 pm.
SMALL PLAT 40.00
OR Book 19 Page 15 - 15
OR vol 1170 page 2100

030291
APPROVED FOR TRANSFER ONLY
NO SUBDIVISION PLAT REQUIRED
(O.R.C. 711.001 & 711.131)
Lot(s) not for building unless
approved by Board of Health.
HOLMES CO. PLANNING COMM.

By AS Date 12/23/03



PLAT APPROVED

12/23/2003

DONALD C. BAKER SURVEYING
138 N. CLAY ST.
MILLERSBURG, OHIO 44654
PH. 330-674-4788
FAX 330-674-6027

I CERTIFY THIS SURVEY TO BE CORRECT
TO THE BEST OF MY KNOWLEDGE.

JAMIE D. DARR P.S. 7755

DATE: NOV. 24, 2003
REVISED DECEMBER 10, 2003

JDD\ALG

File name: C:\JOBS1\S-975-03\ERZ