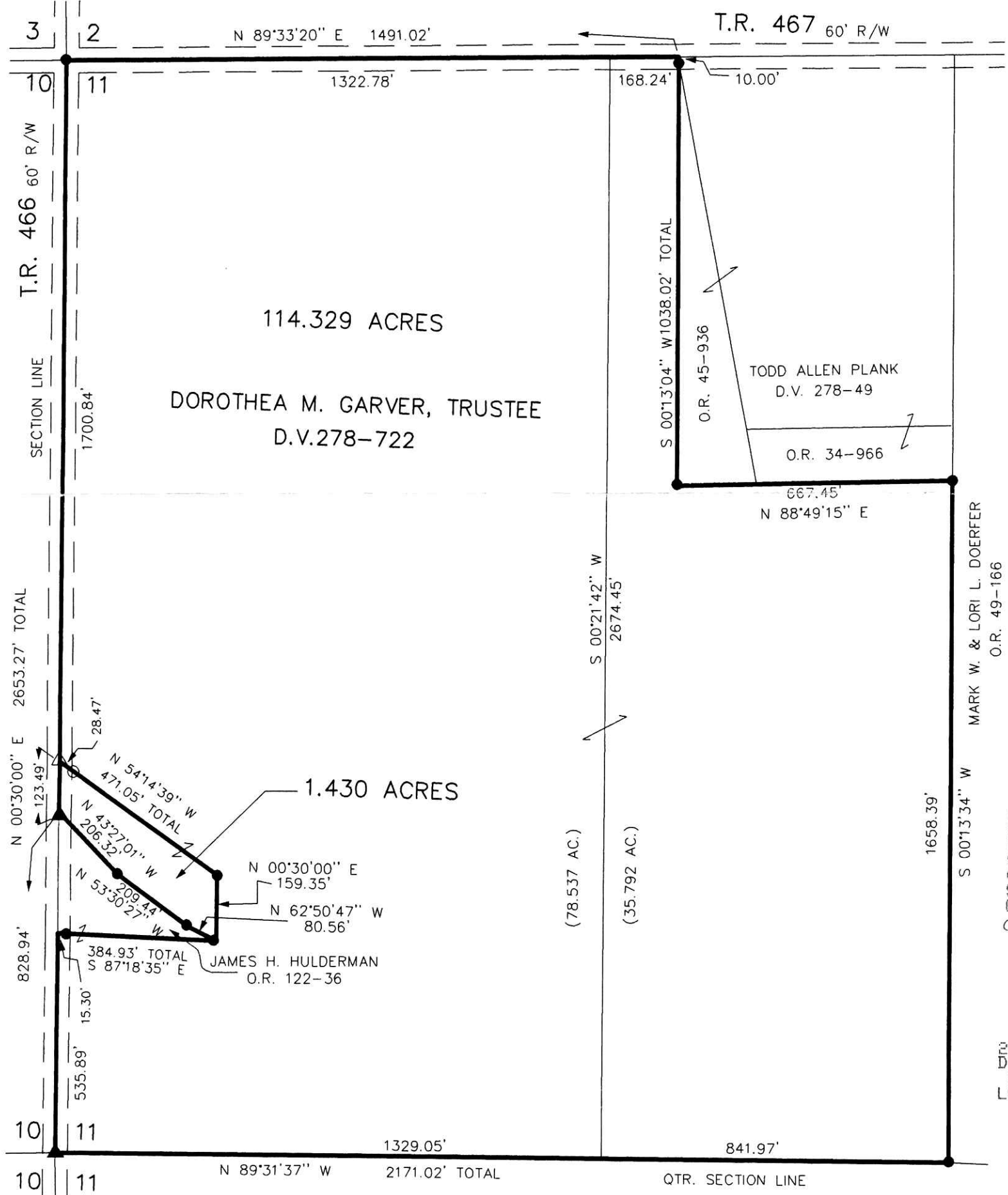
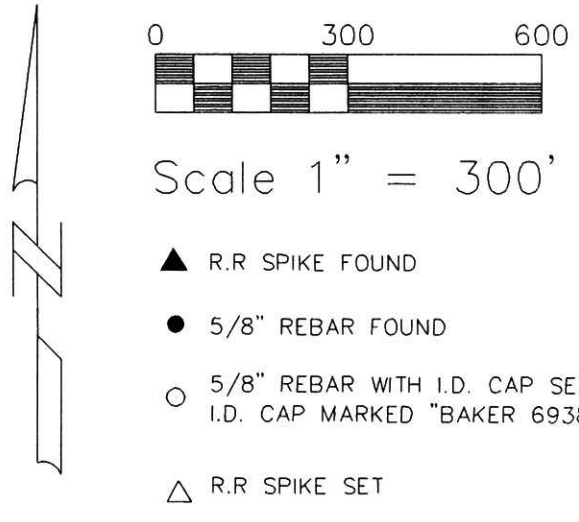


WASHINGTON TOWNSHIP  
N.W. QTR. SECTION 11  
T-19 N ; R-15 W  
HOLMES COUNTY, OHIO

SURVEYED FOR DORTHEA GARVER

- REFERENCES:
- DEED VOL. 278 PAGE 722
  - DEED VOL. 278 PAGE 49
  - O.R. VOL. 45 PAGE 936
  - O.R. VOL. 49 PAGE 166
  - O.R. VOL. 122 PAGE 36

BEARINGS FROM DEED VOL. 278 PAGE 722



MARK W. & LORI L. DOERFER  
O.R. 49-166

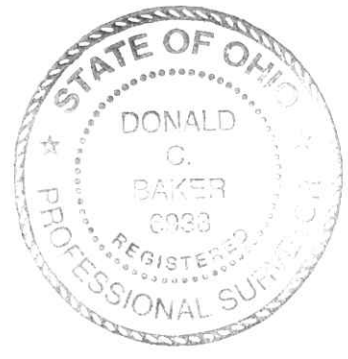
200300020940  
Filed for Record in  
HOLMES COUNTY, OH  
SALLY MILLER  
01-29-2003 09:25 am.  
SMALL PLAT 20.00  
OR Book 18 Page 506 -  
OR vol 136 pages 846-848

200300020940  
DAVID M  
HUNTER ATTY  
LOUDONVILLE, OH

I CERTIFY THIS SURVEY TO BE CORRECT  
TO THE BEST OF MY KNOWLEDGE.

*Donald C. Baker*  
DONALD C. BAKER P.S. 6938

File name: C:\JOBS1\S-571-02\ERZ\MLD  
SEPTEMBER 19, 2002 FCC\FDB



020214  
APPROVED FOR TRANSFER ONLY  
NO SUBDIVISION PLAT REQUIRED  
(O.R.C. 711.001 & 711.131)  
Lot(s) not for building unless  
approved by Board of Health.  
HOLMES CO. PLANNING COMM.

By *[Signature]* Date 12/17/02

PLAT APPROVED  
12/18/2002

DONALD C. BAKER SURVEYING  
138 N. CLAY ST.  
MILLERSBURG, OHIO 44654  
PH. 330-674-4788  
FAX 330-674-6027