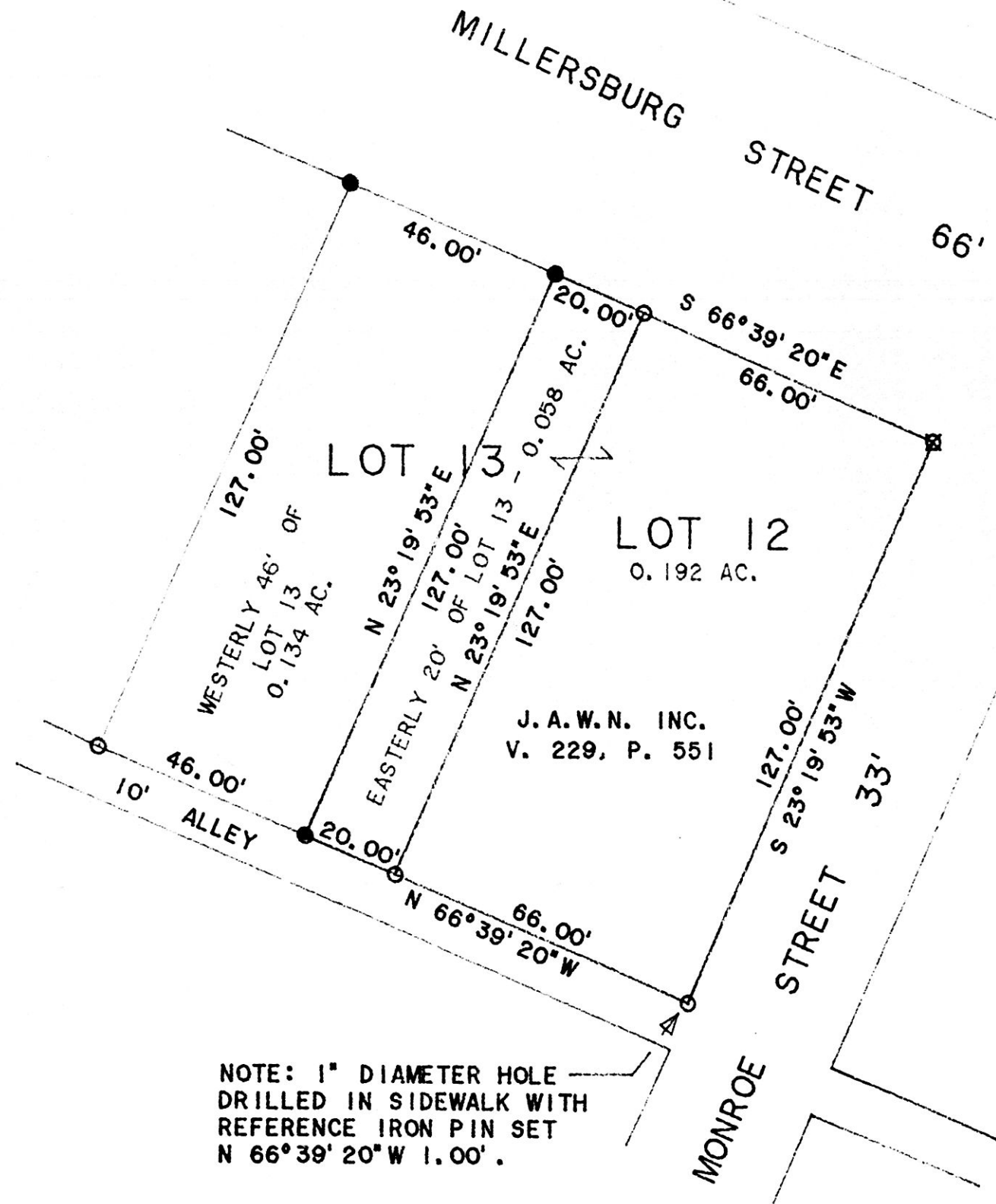


177452



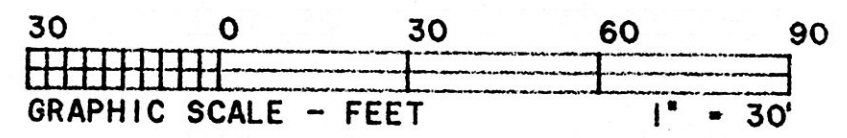
NOTE: 1" DIAMETER HOLE  
 DRILLED IN SIDEWALK WITH  
 REFERENCE IRON PIN SET  
 N 66° 39' 20" W 1.00'.

935

## HEARTLAND Surveying

Jim Shamp  
 5210 Twp. Rd. 257 Millersburg, OH 44654  
 Phone: 216-674-4698

SURVEY			DATE
J. A. W. N. INC.			JUNE 8, 1992
STATE	COUNTY	TOWNSHIP	RANGE
OHIO	HOLMES	WASHINGTON	15 WEST
TOWNSHIP	SECTION 13		VILLAGE OF NASHVILLE
19 NORTH			

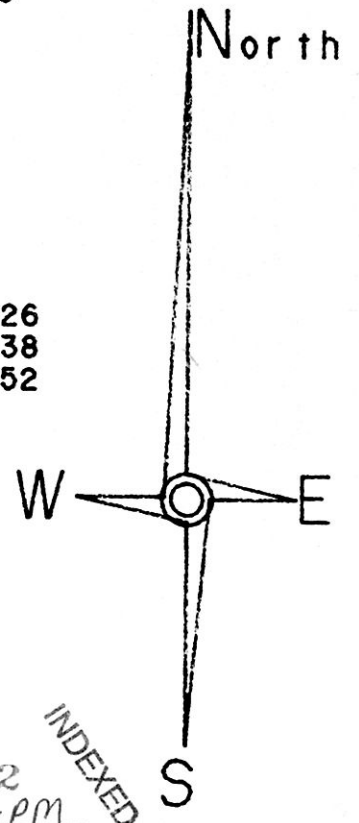


\* BEARINGS ESTABLISHED FROM PLAT  
 V. 12, P. 326

DOCUMENTS: TAX MAP  
 DEEDS AS SHOWN  
 PLATS: V. 12, P. 326  
 V. 3, P. 738  
 V. 4, P. 152

**LEGEND:**

- = I.P. FOUND
- ⊗ = "X" CHISELED IN CONCRETE SIDEWALK
- = I.P. SET (5/8" X 30" RE-BAR  
 W/ PLASTIC CAP MARKED "JIM  
 SHAMP - 6088")



177452 INDEXED

Rec'd. JUN 17 1992 AT 3:07 O'CLOCK PM  
 Recorded JUN 18 1992 Holmes Co. Ohio Fee: \$9.35  
 Plat Vol. 12 Pg. 967 Recorder: Mary Ellen Siquist  
 Deed vol 255 pg 984

I CERTIFY THIS TO BE A TRUE PLAT OF A FIELD  
 SURVEY COMPLETED ON JUNE 8, 1992:

*J. Shamp*

JIM SHAMP, REG. SUR. NO. S-6088

VOL 12 PAGE 967

PLAT APPROVED  
 6/17/92