

MAP OFFICE COPY

139243

WASHINGTON TOWNSHIP
HOLMES COUNTY, OHIO
N.E. Qtr, Sec. 13, T-19, R-15

11 12
14 13

12 12
13 13

T.R. 478

Garver

Mildred Pennell

⊗ Road & Fence From West Used For Line

S 88° 51' 29" E
2631.91'

25.00'
12
13
7
18

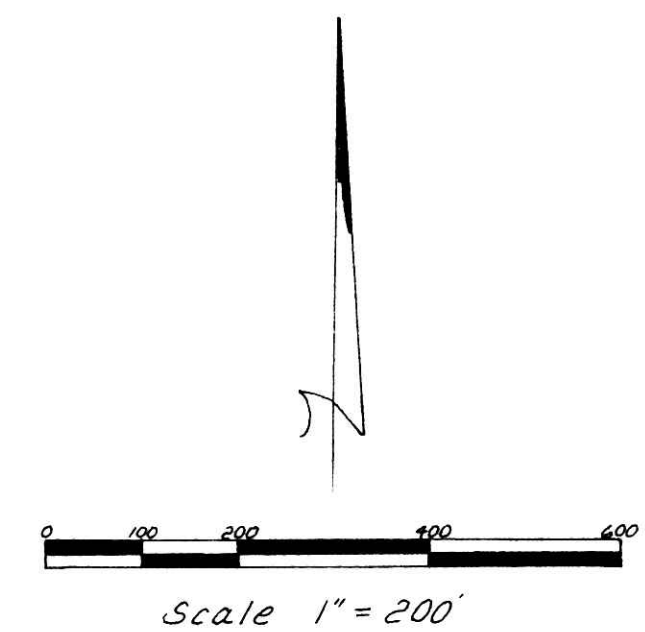
This Corner Established
By Running Entire N.
Line of Sec 13 Pin
Set in N.-S. Fence
Line is 21.7' S. Of
Fence Cor.
(Dist Meas. S. To Ctr.
Section in 1827 was
2659.5)

Wash. Twp.
Range 15

Ripley Twp.
Range 14

Deed Vol 138 Pg 244
& Vol 219 Pg 566

Deed Vol. 138 Pg. 241



- Iron Pin Found
- Iron Pin Set (3/8" bar w/plastic cap)
- ▲ Railroad Spike Found
- △ Railroad Spike Set
- P-H Nail Found

Bearings Assumed

References:
Survey Book 3, Pg 11
Deeds: Vol 194, Pg 175 (Tartir)
148, Pg 377 (Campbell)
Pennell Deeds As Shown

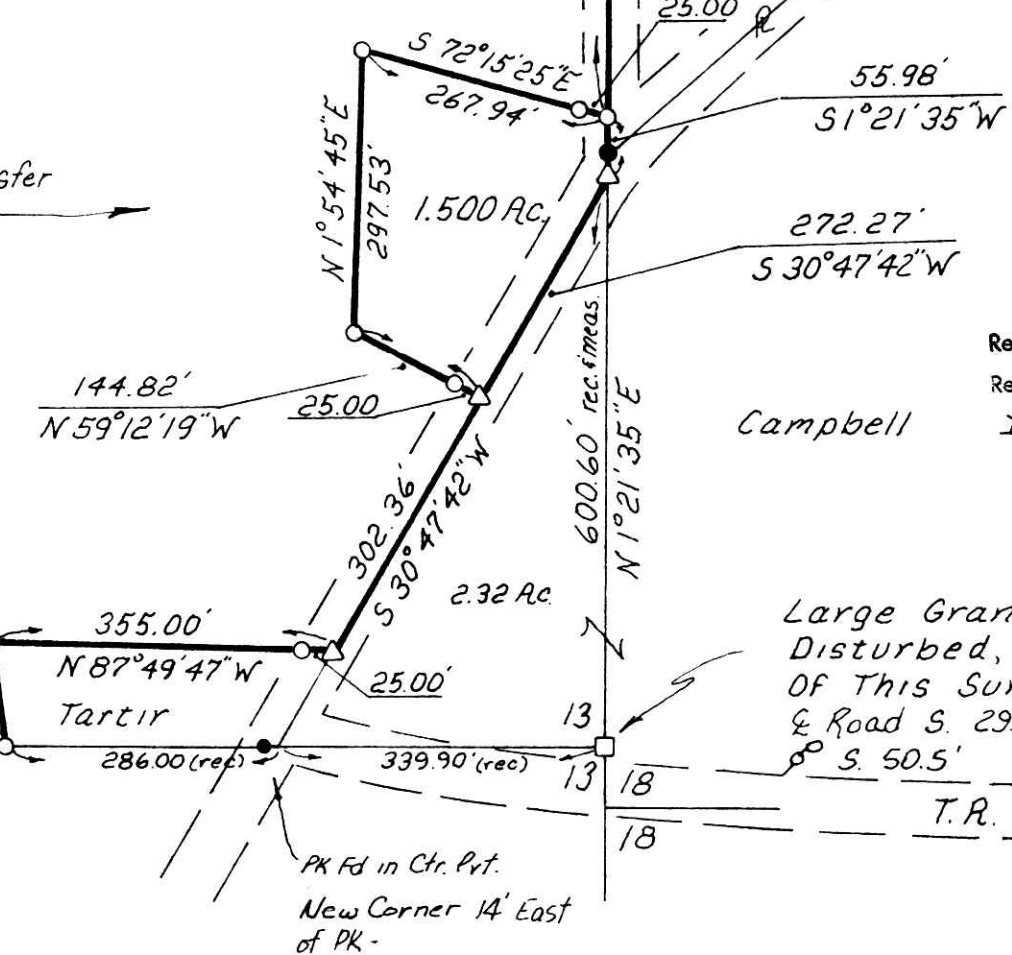
Butts

155.747 Acres

N 1° 14' 20" E
2658.76'

139243
Rec'd Oct 26, 1983 AT 3:51 O'CLOCK P.M.
Recorded Oct 27, 1983 Holmes Co. Ohio Fee: 21.60
Plat Vol. 9 Pg. 200 Recorder Richard Shaven
Deed Vol. 221; Pg. 937.

This Parcel To Transfer
To James Pennell



Large Granite Stone Found
Disturbed, Reset As Part
OF This Survey
& Road S. 290'
S 50.5'

13 13
13 13

2000.42'
N 88° 56' 10" W

1998.61'
S 1° 21' 35" W

Young

I.P. Set in
Fence Cor.

Castell

I Certify This Plat To Be Correct
To The Best Of My Knowledge.
William H. Long June 1, 1983
William H. Long R.S. 6505

PK Fd in Chr. Pkt.
New Corner 14' East
of PK -