

# MAP OF SURVEY

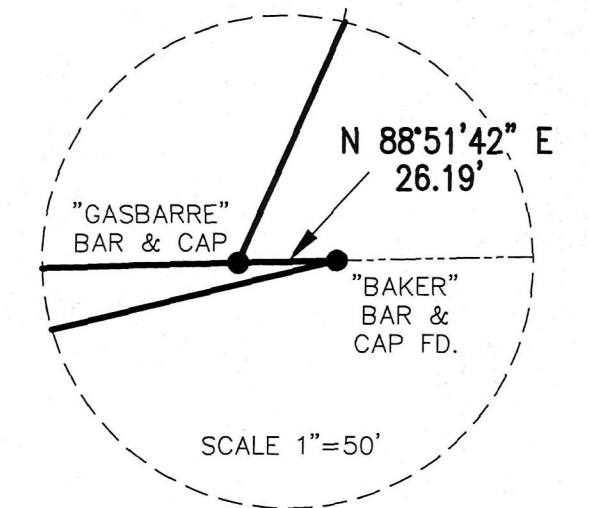
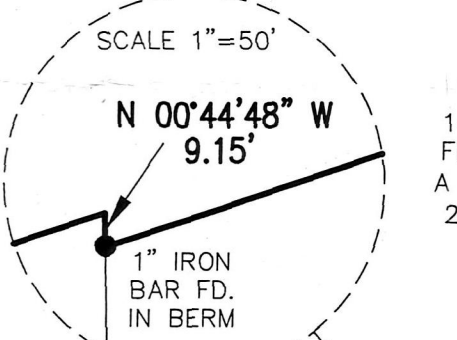
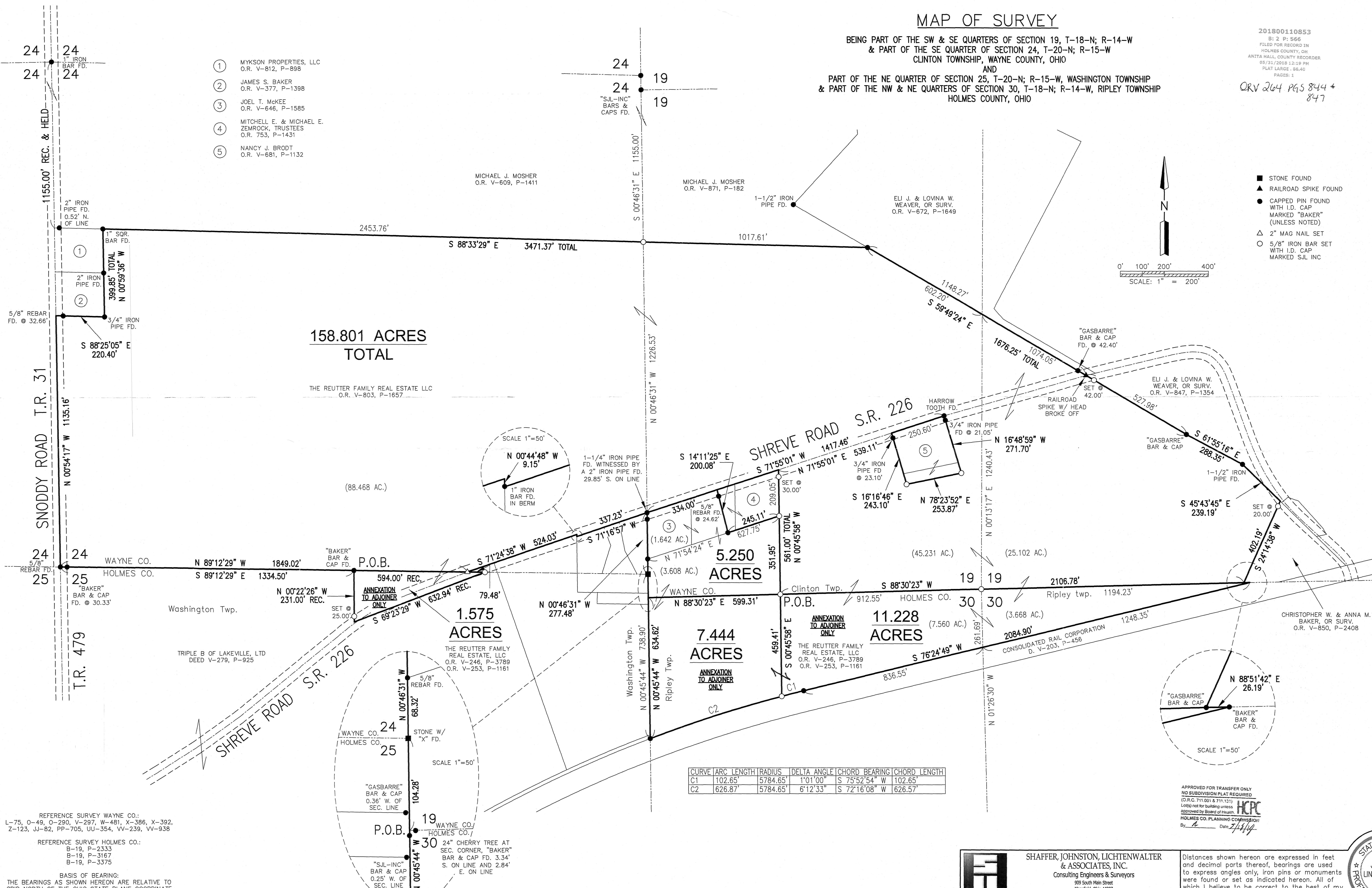
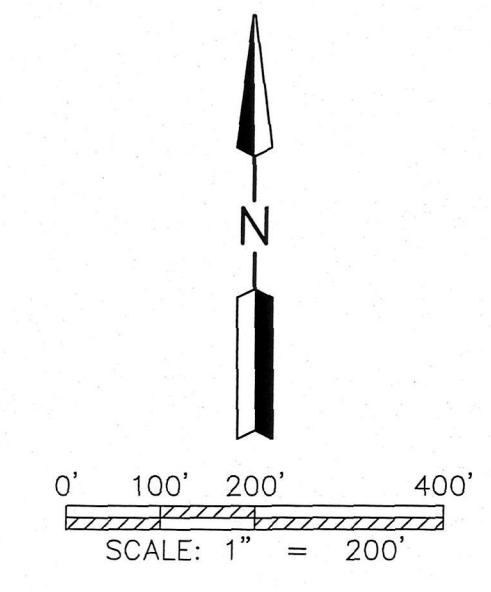
BEING PART OF THE SW & SE QUARTERS OF SECTION 19, T-18-N; R-14-W  
 & PART OF THE SE QUARTER OF SECTION 24, T-20-N; R-15-W  
 CLINTON TOWNSHIP, WAYNE COUNTY, OHIO  
 AND  
 PART OF THE NE QUARTER OF SECTION 25, T-20-N; R-15-W, WASHINGTON TOWNSHIP  
 & PART OF THE NW & NE QUARTERS OF SECTION 30, T-18-N; R-14-W, RIPLEY TOWNSHIP  
 HOLMES COUNTY, OHIO

20180010853  
 B: 2 P: 566  
 FILED FOR RECORD IN  
 HOLMES COUNTY, OH  
 ANITA HALL, COUNTY RECORDER  
 05/31/2018 12:19 PM  
 PLAT LARGE - 86.40  
 PAGE: 1

ORV 264 P65 844 +  
 847

- ① MYKSON PROPERTIES, LLC  
O.R. V-812, P-898
- ② JAMES S. BAKER  
O.R. V-377, P-1398
- ③ JOEL T. MCKEE  
O.R. V-646, P-1585
- ④ MITCHELL E. & MICHAEL E.  
ZEMROCK, TRUSTEES  
O.R. 753, P-1431
- ⑤ NANCY J. BRODT  
O.R. V-681, P-1132

- STONE FOUND
- ▲ RAILROAD SPIKE FOUND
- CAPPED PIN FOUND WITH I.D. CAP MARKED "BAKER" (UNLESS NOTED)
- △ 2" MAG NAIL SET
- 5/8" IRON BAR SET WITH I.D. CAP MARKED S.J.L. INC

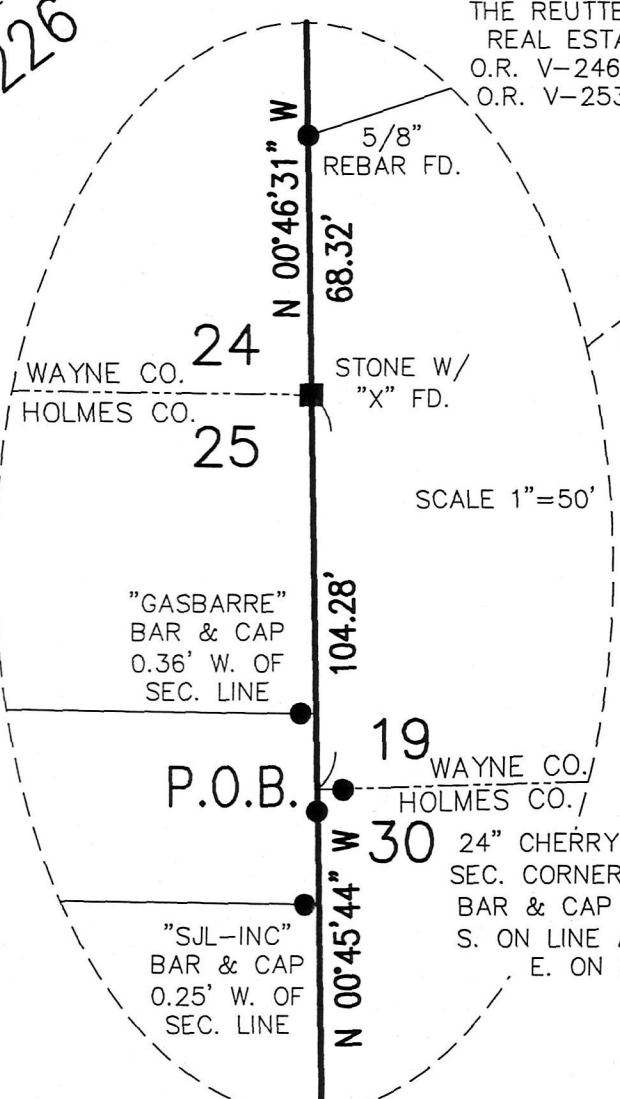


| CURVE | ARC LENGTH | RADIUS   | DELTA ANGLE | CHORD BEARING | CHORD LENGTH |
|-------|------------|----------|-------------|---------------|--------------|
| C1    | 102.65'    | 5784.65' | 1°01'00"    | S 75°52'54" W | 102.65'      |
| C2    | 626.87'    | 5784.65' | 6°12'33"    | S 72°16'08" W | 626.57'      |

REFERENCE SURVEY WAYNE CO.:  
 L-75, O-49, O-290, V-297, W-481, X-386, X-392,  
 Z-123, JJ-82, PP-705, UU-354, VV-239, VV-938

REFERENCE SURVEY HOLMES CO.:  
 B-19, P-2333  
 B-19, P-3167  
 B-19, P-3375

BASE OF BEARING:  
 THE BEARINGS AS SHOWN HEREON ARE RELATIVE TO  
 GRID NORTH OF THE OHIO STATE PLANE COORDINATE  
 SYSTEM, NAD 83 DATUM



SHAFFER, JOHNSTON, LICHTENWALTER  
 & ASSOCIATES, INC.  
 Consulting Engineers & Surveyors  
 909 South Main Street  
 Mansfield, Ohio 44907  
 TEL (419) 756-7302 FAX (419) 756-0867 EMAIL sjl@sh-inc.com

Distances shown hereon are expressed in feet and decimal parts thereof, bearings are used to express angles only, iron pins or monuments were found or set as indicated hereon. All of which I believe to be correct to the best of my knowledge.

