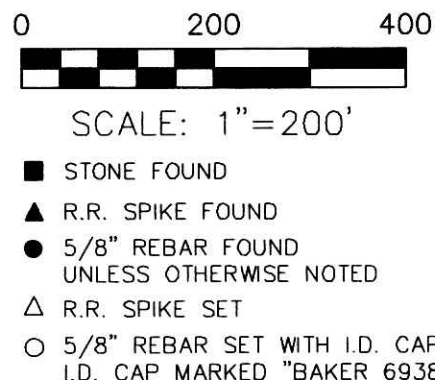


201300083225
 Filed for Record in
 HOLMES COUNTY, OH
 ANITA HALL, COUNTY RECORDER
 06-18-2013 At 10:26 AM
 PLAT LARGE 2 Pages 526 - 526
 OR Book 2 Page 526 - 526
 ORV 244 pgs 1751, 1772,
 1775, 1779,
 1783, 1787

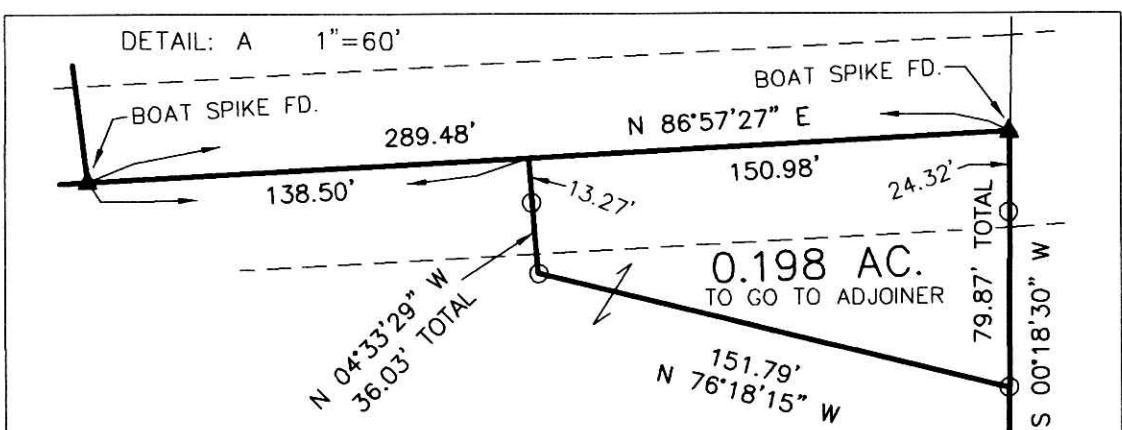
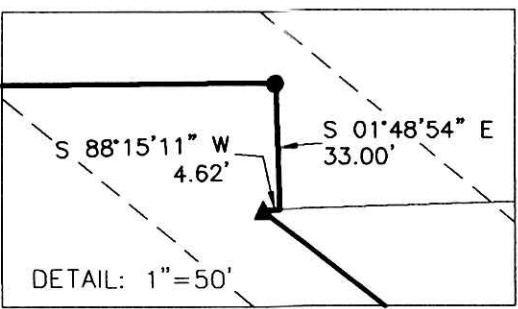
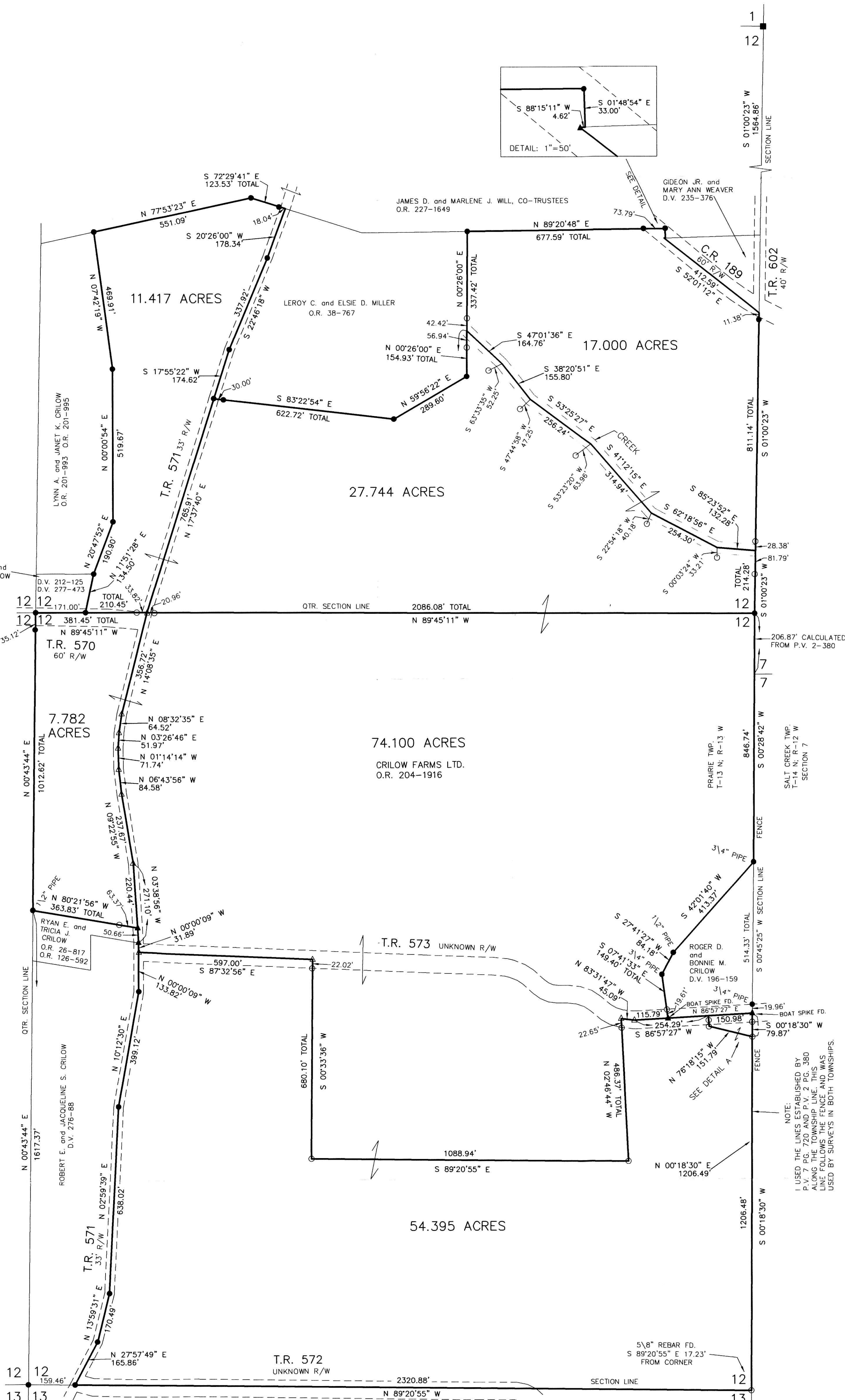
201300083225
 RNDY TITLE
 109 E HILL ST
 RT VERNON OH 43050



PRAIRIE TOWNSHIP
 N.E. & S.E. QTRS. SECTION 12
 T-13 N; R-13 W
 HOLMES COUNTY, OHIO
 SURVEYED FOR: DAVE KAUFMAN REALTY

REFERENCES

- DEED VOL. 196 PAGE 159
- DEED VOL. 235 PAGE 376
- DEED VOL. 276 PAGE 88
- O.R. VOL. 38 PAGE 767
- O.R. VOL. 201 PAGE 995
- O.R. VOL. 204 PAGE 1916
- O.R. VOL. 227 PAGE 1649
- PLAT VOL. 2-PAGE 380
- PLAT VOL. 5-PAGE 171
- PLAT VOL. 7-PAGE 363
- PLAT VOL. 7-PAGE 720
- PLAT VOL. 16-PAGE 271
- PLAT VOL. 16-PAGE 729
- PLAT VOL. 17-PAGE 239
- PLAT VOL. 19-PAGE 191
- PLAT VOL. 19-PAGE 1200
- BEARINGS FROM PLAT VOL. 19 PAGE 191



I CERTIFY THIS SURVEY TO BE CORRECT TO THE BEST OF MY KNOWLEDGE.
 DONALD C. BAKER P.S. 6938
 DATE: MAY 7, 2013
 RES/CJG
 FILE NAME: WORK4\S-197-13\DB-MD

DONALD C. BAKER SURVEYING
 138 N. CLAY STREET
 MILLERSBURG, OHIO 44654
 PH. 330-674-4788
 FAX 330-674-6027

APPROVED FOR TRANSMISSION ONLY
 (DO NOT SUBMIT FOR RECORD)
 (DO NOT BUILD ON THIS PLAT)
 (THIS IS NOT A BUILDING PERMIT)
 (APPROVED BY BOARD OF HEALTH)
 HOLMES CO. PLANNING COMMISSION
 BY: [Signature] DATE: 6-4-13

PLAT APPROVED
 5/31/2013