

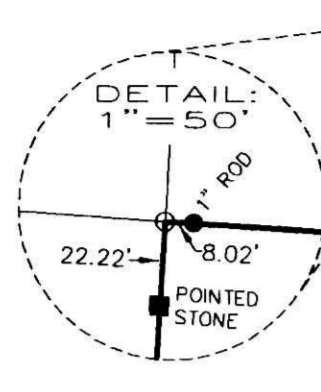
SURVEYED FOR: JAMES TROYER

201100069854 OR Book Page 275

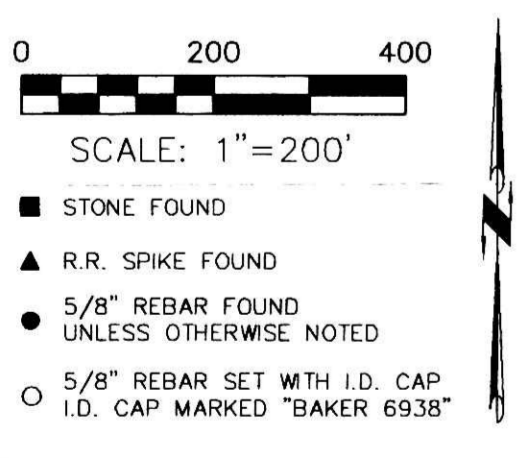
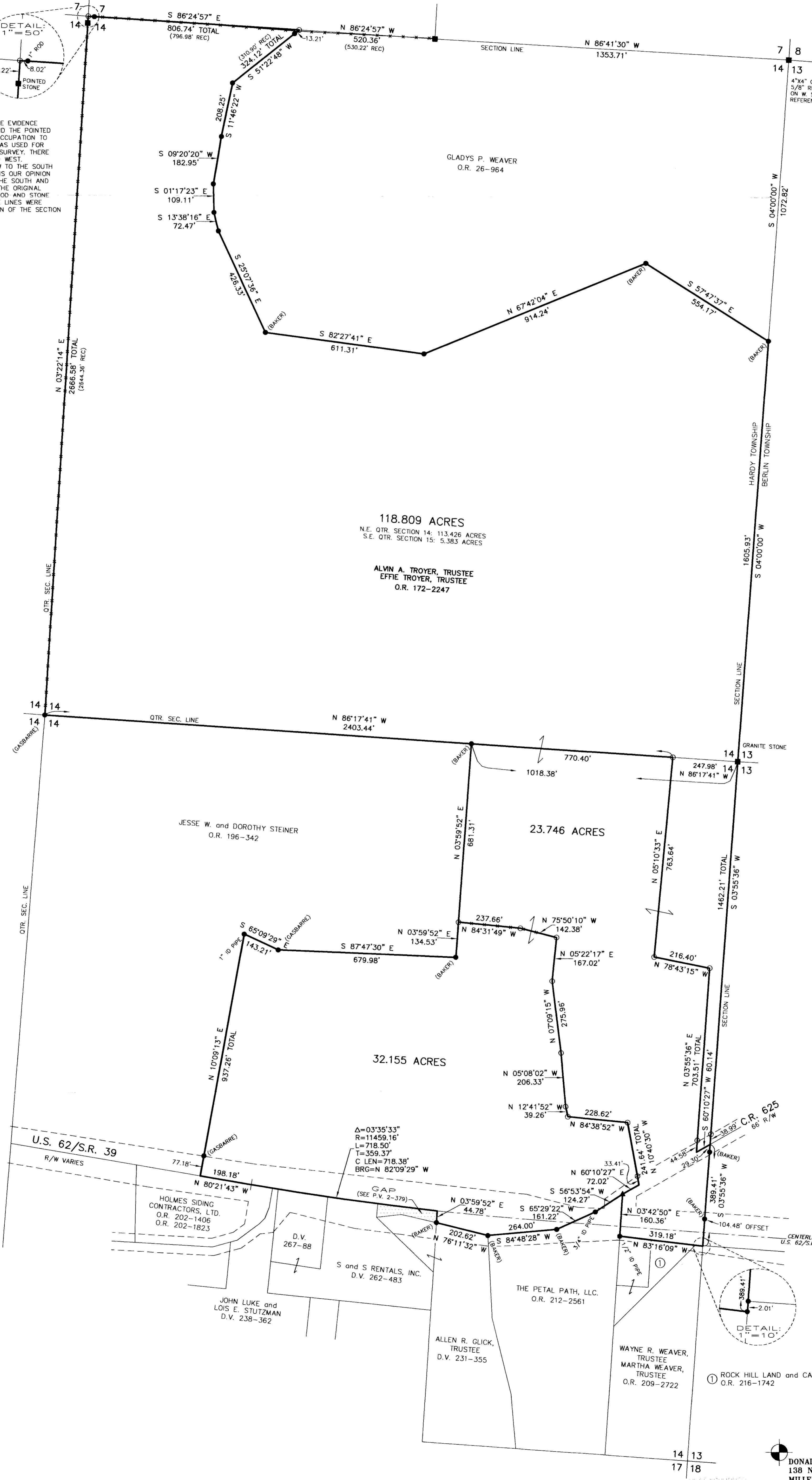
201100069854  
 Filed for Record in  
 HOLMES COUNTY, OH  
 ANITA HALL, COUNTY RECORDER  
 02-03-2011 At 02:10 PM  
 PLAT LARGE 86.40'  
 OR BOOK 2 Page 495 - 495  
 OR 273 pgs 2754, 2757,  
 2774

201100069854  
 PAUL A.  
 MILLER L.S.  
 MILLERSBURG OH

- REFERENCES
- |                         |  |
|-------------------------|--|
| DEED VOL. 231 PAGE 355  | PLAT VOL. 2 PAGE 379                     |
| DEED VOL. 238 PAGE 362  | PLAT VOL. 4 PAGES 3 & 196                |
| DEED VOL. 262 PAGE 483  | PLAT VOL. 6 PAGE 120                     |
| DEED VOL. 267 PAGE 88   | PLAT VOL. 7 PAGE 697                     |
| O.R. VOL. 26 PAGE 984   | PLAT VOL. 10 PAGE 960                    |
| O.R. VOL. 172 PAGE 2247 | PLAT VOL. 12 PAGE 678                    |
| O.R. VOL. 196 PAGE 342  | PLAT VOL. 13 PAGE 88                     |
| O.R. VOL. 202 PAGE 1823 | PLAT VOL. 17 PAGES 13 & 746              |
| O.R. VOL. 209 PAGE 2722 | PLAT VOL. 19 PAGES 383, 903, 1563 & 1729 |
| O.R. VOL. 212 PAGE 2561 | SURVEY RECORD 4 PAGES 200 & 252          |
| O.R. VOL. 216 PAGE 1742 |  |
- BEARINGS FROM PLAT VOL. 2 PAGE 379



SECTION CORNER NOTE:  
 THE NOTE ON P.V. 19-903 ANALYZES THE EVIDENCE SUPPORTING THE USE OF THE 1" ROD AND THE POINTED STONE AS THE SECTION CORNER. THE OCCUPATION TO THE EAST SUPPORTS THE 1" ROD AND WAS USED FOR THE HONEY RUN VILLAGE (P.V. 17-746) SURVEY. THERE IS MINIMAL EVIDENCE TO THE NORTH AND WEST. HOWEVER, THERE IS FENCE AND TREEROW TO THE SOUTH WHICH FIRMLY SUPPORTS THE STONE. IT IS OUR OPINION THAT THE OCCUPATIONAL EVIDENCE TO THE SOUTH AND EAST IS THE BEST REPRESENTATION OF THE ORIGINAL SECTION LINES WHICH MATCHES THE 1" ROD AND STONE IN THEIR RESPECTIVE DIRECTIONS. THESE LINES WERE INTERSECTED TO DETERMINE THE LOCATION OF THE SECTION CORNER.



I CERTIFY THIS SURVEY TO BE CORRECT TO THE BEST OF MY KNOWLEDGE.

Donald C. Baker  
 DONALD C. BAKER P.S. 6938  
 DATE: DEC. 9, 2010  
 FDB\ALG-ERZ  
 FILE NAME: WORK4\S-478-10\ERZ

12/20/2010  
 DONALD C. BAKER SURVEYING  
 138 N. CLAY STREET  
 MILLERSBURG, OHIO 44654  
 PH. 330-674-4788  
 FAX 330-674-6027