

KILLBUCK TOWNSHIP
N.E., N.W., S.E., & S.W. QTRS. SECTION 24
T-8 N; R-7 W
HOLMES COUNTY, OHIO

SURVEYED FOR: CHRISTOPHER ROHR

0 300 600



SCALE: 1"=300'

- STONE FOUND
- 5/8" REBAR FOUND UNLESS OTHERWISE NOTED
- 5/8" REBAR SET WITH I.D. CAP I.D. CAP MARKED "BAKER SURVEYING LLC"

REFERENCES

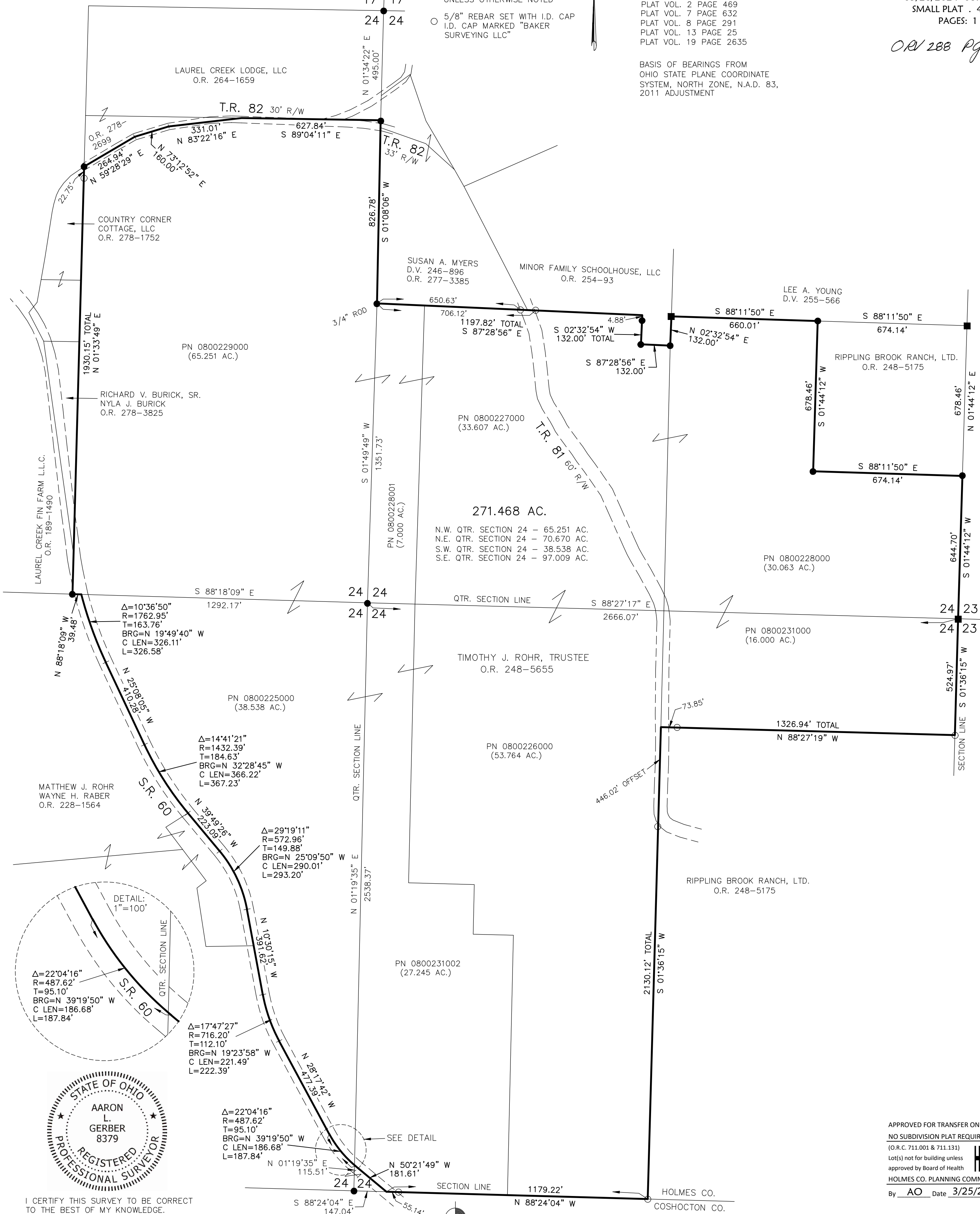
DEED VOL. 255 PAGE 566
O.R. VOL. 254 PAGE 93
O.R. VOL. 278 PAGE 1752
O.R. VOL. 278 PAGE 3825
O.R. VOL. 248 PAGE 5175
O.R. VOL. 248 PAGE 5655
PLAT VOL. 2 PAGE 469
PLAT VOL. 7 PAGE 632
PLAT VOL. 8 PAGE 291
PLAT VOL. 13 PAGE 25
PLAT VOL. 19 PAGE 2635

BASIS OF BEARINGS FROM
OHIO STATE PLANE COORDINATE
SYSTEM, NORTH ZONE, N.A.D. 83,
2011 ADJUSTMENT

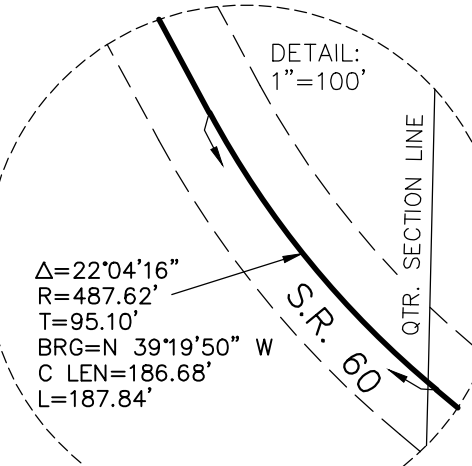
20240001101

B: 19 P: 5245
FILED FOR RECORD IN
HOLMES COUNTY, OH
ANITA HALL, COUNTY RECORDER
03/26/2024 08:32 AM
SMALL PLAT . 40.00
PAGES: 1

ORV 288 Pg 2601



MATTHEW J. ROHR
WAYNE H. RABER
O.R. 228-1564



I CERTIFY THIS SURVEY TO BE CORRECT
TO THE BEST OF MY KNOWLEDGE.
A.L.G.
AARON L. GERBER P.S. 8379
DATE: JUNE 6, 2023
TAB: VJD\GRB
FILE NAME: WORK6\S-287-23\CNK

BAKER SURVEYING, LLC
138 N. CLAY STREET
MILLERSBURG, OHIO 44654
PH. 330-674-4788
EMAIL: bakersurveying@gmail.com

APPROVED FOR TRANSFER ONLY
NO SUBDIVISION PLAT REQUIRED
(O.R.C. 711.001 & 711.131)
Lot(s) not for building unless
approved by Board of Health
HOLMES CO. PLANNING COMMISSION
By AO Date 3/25/2024



Plat Approved
Holmes County Map Office
3/22/2024 MM