

- STONE FOUND
- 5/8" REBAR FOUND  
UNLESS OTHERWISE NOTED
- 5/8" REBAR SET WITH I.D. CAP  
I.D. CAP MARKED "BAKER 6938"

WALNUT CREEK TOWNSHIP  
1ST. QTR., LOT 1  
T-9 N; R-5 W  
HOLMES COUNTY, OHIO

SURVEYED FOR: JACOB MILLER

202300000242  
B: 19 P: 4908  
FILED FOR RECORD IN  
HOLMES COUNTY, OH  
ANITA HALL, COUNTY RECORDER  
01/23/2023 09:25 AM  
SMALL PLAT . 40.00  
PAGES: 1

ORV 284 PG 2475  
ORV 284 PG 2478

REFERENCES

- DEED VOL. 228 PAGE 558
- DEED VOL. 268 PAGE 655
- PLAT VOL. 10 PAGE 467
- PLAT VOL. 15 PAGE 46
- PLAT VOL. 19 PAGE 4867

BASIS OF BEARINGS FROM  
OHIO STATE PLANE COORDINATE  
SYSTEM, NORTH ZONE, N.A.D. 83  
(2011 ADJUSTMENT)

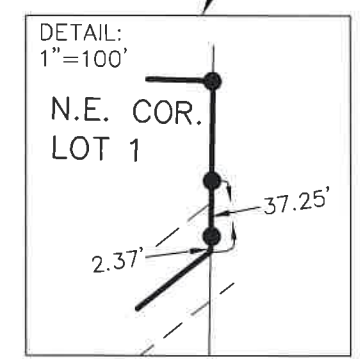
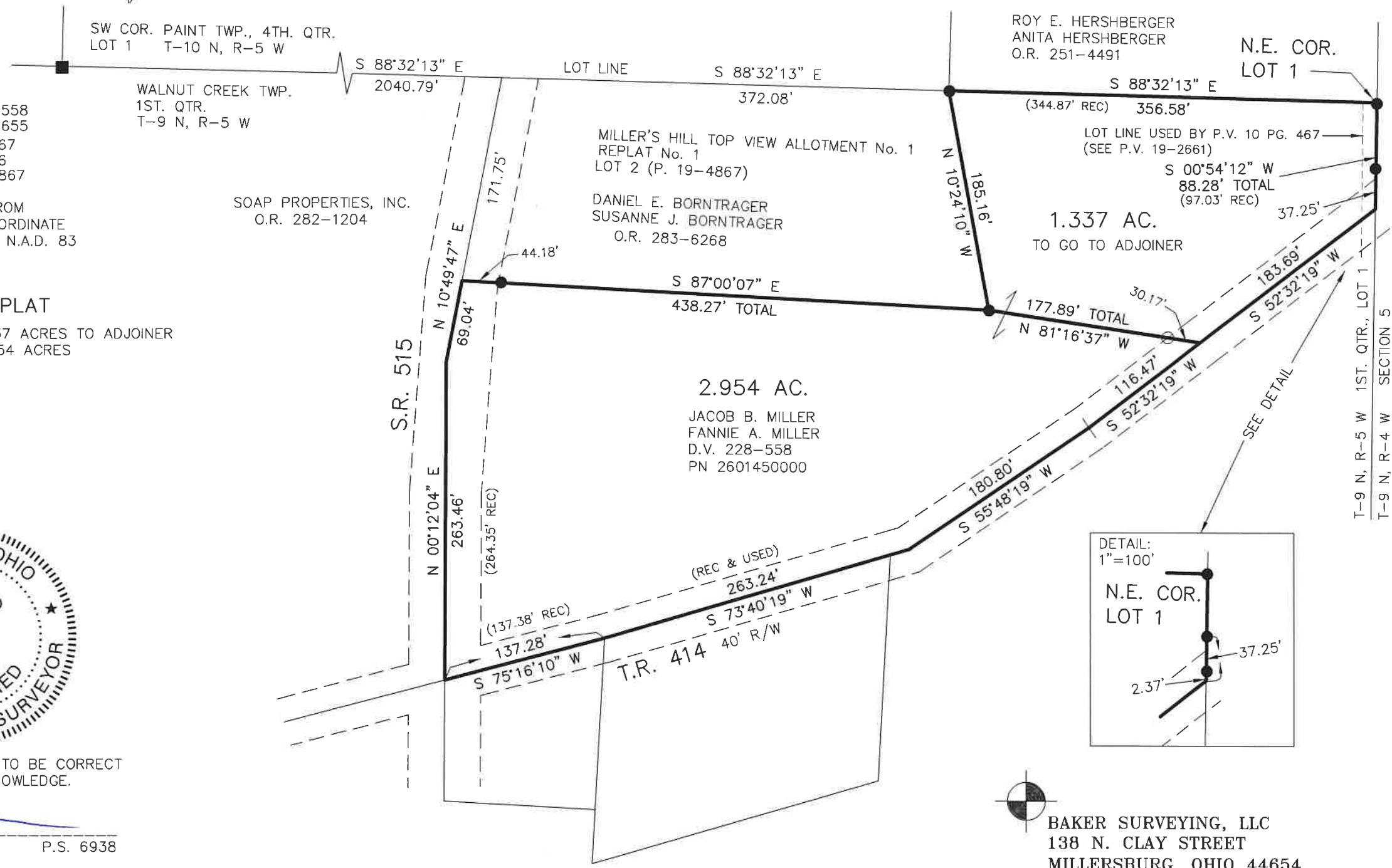
MASTER PLAT

- ACTION 1) CONVEY 1.337 ACRES TO ADJOINER
- ACTION 2) CONVEY 2.954 ACRES



I CERTIFY THIS SURVEY TO BE CORRECT  
TO THE BEST OF MY KNOWLEDGE.

*Donald C. Baker*  
DONALD C. BAKER P.S. 6938  
DATE: DEC. 6, 2022  
FDB\KES  
FILE NAME: WORK6\S-239-22



BAKER SURVEYING, LLC  
138 N. CLAY STREET  
MILLERSBURG, OHIO 44654  
PH. 330-674-4788  
EMAIL: bakersurveying@gmail.com

APPROVED FOR TRANSFER ONLY  
NO SUBDIVISION PLAT REQUIRED  
(O.R.C. 711.001 & 711.131)  
Lot(s) not for building unless  
approved by Board of Health  
HOLMES CO. PLANNING COMMISSION  
By AO Date 1/9/2023

**Plat Approved**  
Holmes County Map Office  
12/22/2022 MM