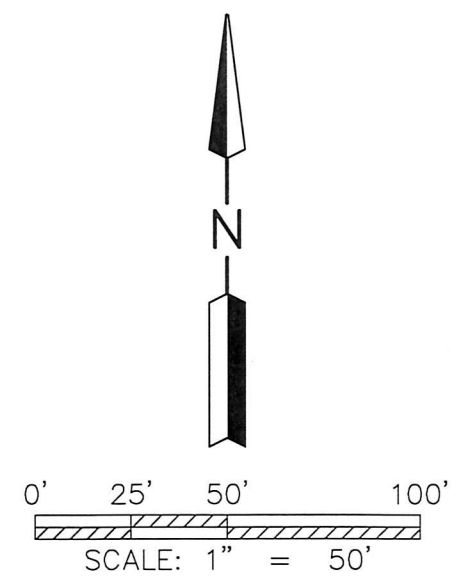


MAP OF SURVEY OF A 0.136 ACRE PARCEL

FOR ANNEXATION ONLY

2ND. QUARTER, LOT 29
T-9-N; R-7-W
HARDY TOWNSHIP
HOLMES COUNTY, OHIO

20180011243
B: 19 P: 3495
FILED FOR RECORD IN
HOLMES COUNTY, OH
ANITA HALL, COUNTY RECORDER
06/25/2018 10:01 AM
SMALL PLAT . 40.00
PAGES: 1
ORV 264, PG 2652, 2654

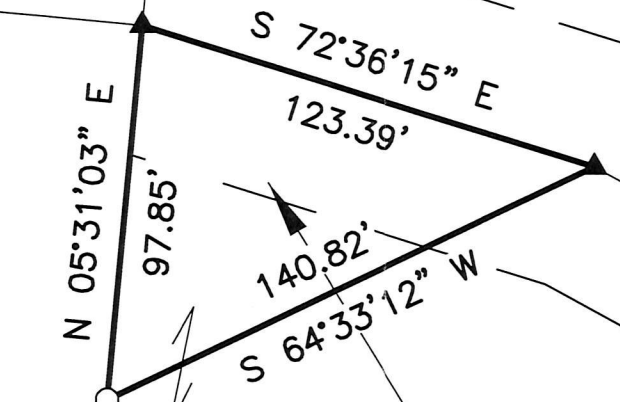


- ▲ RAILROAD SPIKE FOUND
- 3/4" PINCH TOP IRON PIPE FOUND (UNLESS NOTED)
- 5/8" REBAR SET WITH I.D. CAP MARKED "LINGENFELTER"

CLIFFORD CONNER
O.R. V-203, P-1785
PPN-0600426000

REFERENCE SURVEY:
PLAT V-14, P-727
PLAT V-14, P-728
PLAT V-19, P-1025

BASIS OF BEARING:
THE BEARINGS AS SHOWN HEREON ARE
RELATIVE TO PLAT V-14, P-727



0.136 ACRE
FOR ANNEXATION TO
ADJOINING LAND ONLY

CLIFFORD CONNER
O.R. V-203, P-1785
PPN-0600427000

APPROVED FOR TRANSFER ONLY
 NO SUBDIVISION PLAT REQUIRED
 (O.R.C. 711.001 & 711.131)
 Lot(s) not for building unless
 approved by Board of Health.
 HOLMES CO. PLANNING COMMISSION
 By: W Date: 6/16/18

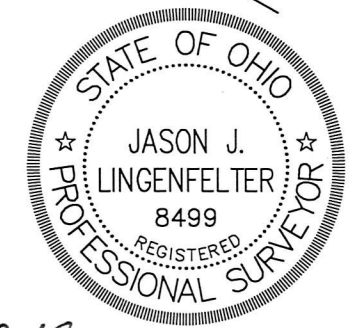
PLAT APPROVED
6/14/2018

C.R. 392
S 61°17'05" E 326.10'
66' R/W

S.R. 39 R/W VARIES

34 29
33 30

Distances shown hereon are expressed in feet and decimal parts thereof, bearings are used to express angles only, iron pins or monuments were found or set as indicated hereon. All of which I believe to be correct to the best of my knowledge.



By: Jason J. Lingenfelter 5-10-18
JASON J. LINGENFELTER, P.S. #8499 DATE