

RIPLEY TOWNSHIP  
 S.E. QTR. SECTION 1  
 T-17 N; R-14 W  
 HOLMES COUNTY, OHIO

PRAIRIE TOWNSHIP  
 N.W. & S.W. QTRS. SECTION 6  
 T-13 N; R-13 W  
 HOLMES COUNTY, OHIO

SURVEYED FOR: ROY YODER

0 200 400

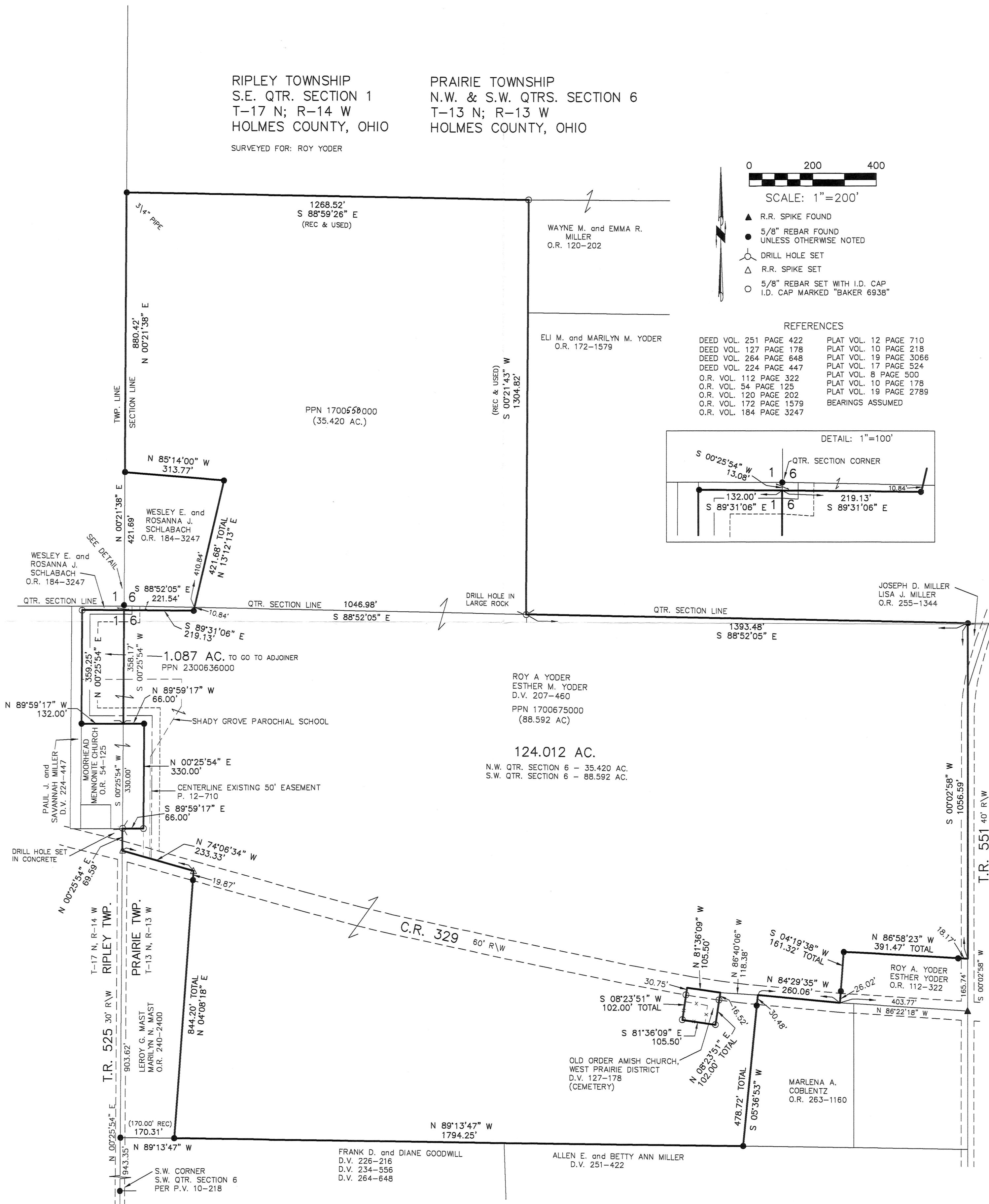
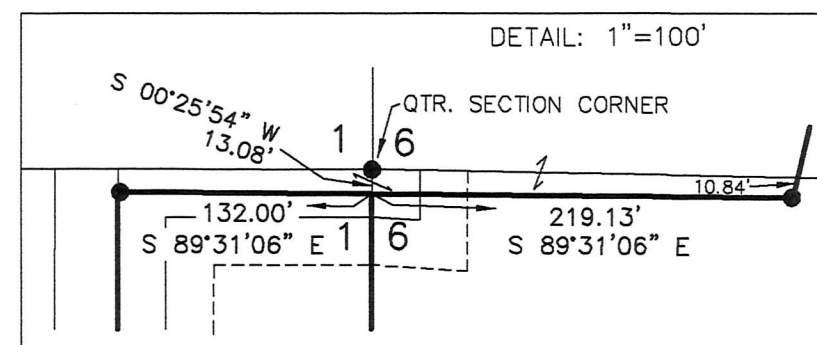


SCALE: 1"=200'

- ▲ R.R. SPIKE FOUND
- 5/8" REBAR FOUND UNLESS OTHERWISE NOTED
- DRILL HOLE SET
- △ R.R. SPIKE SET
- 5/8" REBAR SET WITH I.D. CAP I.D. CAP MARKED "BAKER 6938"

REFERENCES

DEED VOL. 251 PAGE 422	PLAT VOL. 12 PAGE 710
DEED VOL. 127 PAGE 178	PLAT VOL. 10 PAGE 218
DEED VOL. 264 PAGE 648	PLAT VOL. 19 PAGE 3066
DEED VOL. 224 PAGE 447	PLAT VOL. 17 PAGE 524
O.R. VOL. 112 PAGE 322	PLAT VOL. 8 PAGE 500
O.R. VOL. 54 PAGE 125	PLAT VOL. 10 PAGE 178
O.R. VOL. 120 PAGE 202	PLAT VOL. 19 PAGE 2789
O.R. VOL. 172 PAGE 1579	BEARINGS ASSUMED
O.R. VOL. 184 PAGE 3247	



APPROVED FOR TRANSFER ONLY  
 NO SUBDIVISION PLAT REQUIRED

(O.R.C. 711.001 & 711.131)  
 Lot(s) not for building unless approved by Board of Health.

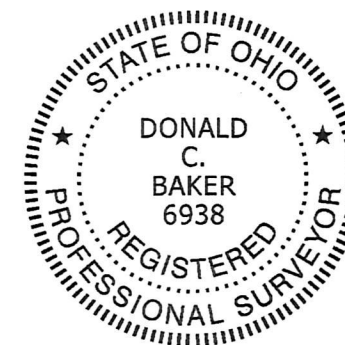
HCP  
 HOLMES CO. PLANNING COMMISSION  
 By: [Signature] Date: 4/12/18

PLAT APPROVED

4/11/2018



BAKER SURVEYING, LLC  
 138 N. CLAY STREET  
 MILLERSBURG, OHIO 44654  
 PH. 330-674-4788  
 FAX 330-674-6027



I CERTIFY THIS SURVEY TO BE CORRECT TO THE BEST OF MY KNOWLEDGE.

[Signature]  
 DONALD C. BAKER P.S. 6938  
 DATE: MARCH 28, 2018  
 KES  
 FILE NAME: WORK4\S-158-18