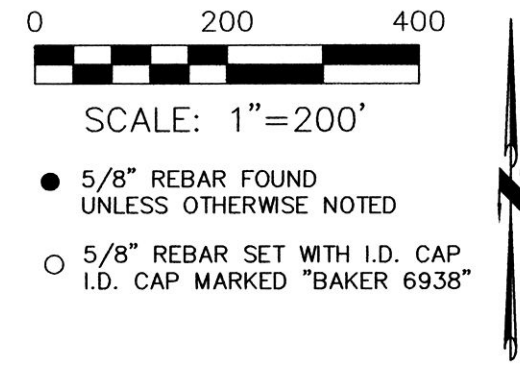


ORV 253 P1155

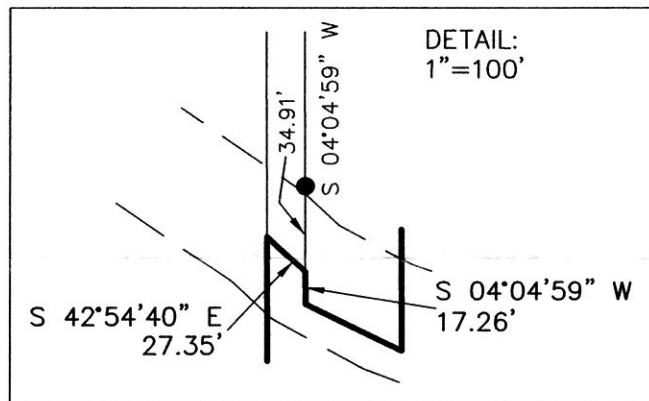
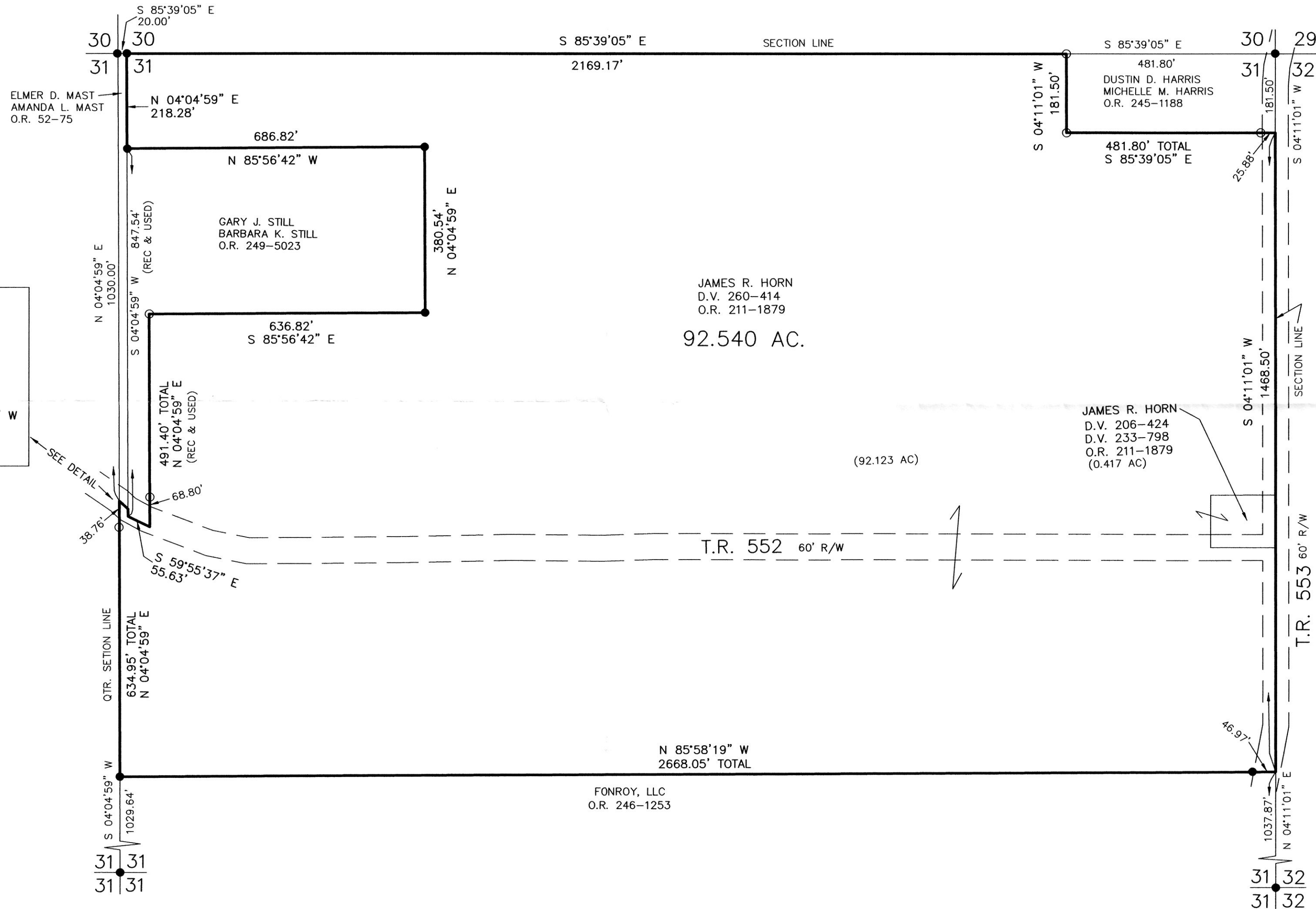


PRAIRIE TOWNSHIP
 N.E. QTR. SECTION 31
 T-14 N; R-13 W
 HOLMES COUNTY, OHIO

SURVEYED FOR: JIM HORN


REFERENCES

- O.R. VOL. 211 PAGE 1879
 - O.R. VOL. 245 PAGE 1188
 - O.R. VOL. 246 PAGE 1253
 - O.R. VOL. 249 PAGE 5023
 - PLAT VOL. 7 PAGE 807
 - PLAT VOL. 8 PAGE 448
 - PLAT VOL. 17 PAGE 496
 - PLAT VOL. 19 PAGE 2313
- BEARINGS FROM
 PLAT VOL. 19 PAGE 2313



I CERTIFY THIS SURVEY TO BE CORRECT TO THE BEST OF MY KNOWLEDGE.

Donald C. Baker
 DONALD C. BAKER P.S. 6938
 DATE: JULY 20, 2015
 KES\CJG
 FILE NAME: WORK5\S-312-15

 DONALD C. BAKER SURVEYING
 138 N. CLAY STREET
 MILLERSBURG, OHIO 44654
 PH. 330-674-4788
 FAX 330-674-6027
 EMAIL: bakersurveying@gmail.com

APPROVED FOR TRANSFER ONLY
 NO SUBDIVISION PLAT REQUIRED
 (O.R.C. 711.001 & 711.131)
 Lot(s) not for building unless approved by Board of Health.
 HOLMES CO. PLANNING COMMISSION
 By: *[Signature]* Date: 7-27-15

PLAT APPROVED
 7/24/2015