

8 0 0 7 9 5 7  
TX: 4005844

201400090374  
8:19 P: 2555  
FILED FOR RECORD IN  
HOLMES COUNTY, OH  
ANITA HALL, COUNTY RECORDER  
09/10/2014 12:47 PM  
CNTY SH PL 1.000  
PAGES: 1  
ORV 250 PG 143

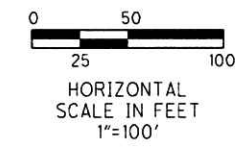
HOLMES COUNTY, OHIO  
WASHINGTON TWP.  
SECTION 33  
T-20N, R-15W  
SURVEYED FOR  
THE COUNTY COMMISSIONERS  
OF HOLMES COUNTY

- MONUMENT LEGEND**
- ⊙ RAILROAD SPIKE FOUND
  - ⊙ RAILROAD SPIKE SET
  - I.R.P. IRON PIN FOUND
  - I.R.P. IRON PIN FOUND W/ ID CAP
  - I.R.P. IRON PIN SET W/ ID CAP MARKED
  - ENGINEERING ASSOCIATES
  - STONE FOUND

APPROVED FOR TRANSFER ONLY  
NO SUBDIVISION PLAT REQUIRED  
(O.R.C. 711.001 & 711.131)  
Lot(s) not for building unless  
approved by Board of Health.  
HOLMES CO. PLANNING COMMISSION



By Larry D. Kick Date 9/10/14  
LARRY D. KICK  
O.R. 189 PG. 2541



BASIS OF BEARINGS IS GRID NORTH OF THE OHIO STATE PLANE COORDINATE SYSTEM, NORTH ZONE (3401), NAD83 (2011).

THE LOCATION OF THE 40 FOOT WIDE ROADWAY FOR C.R. 22, AS DESCRIBED IN DEED VOLUME 57, PAGE 371 AND CONVEYED TO THE COMMISSIONERS OF HOLMES COUNTY ON MARCH 16, 1894, IS INDETERMINATE FROM THE LEGAL DESCRIPTION IN THE DEED.

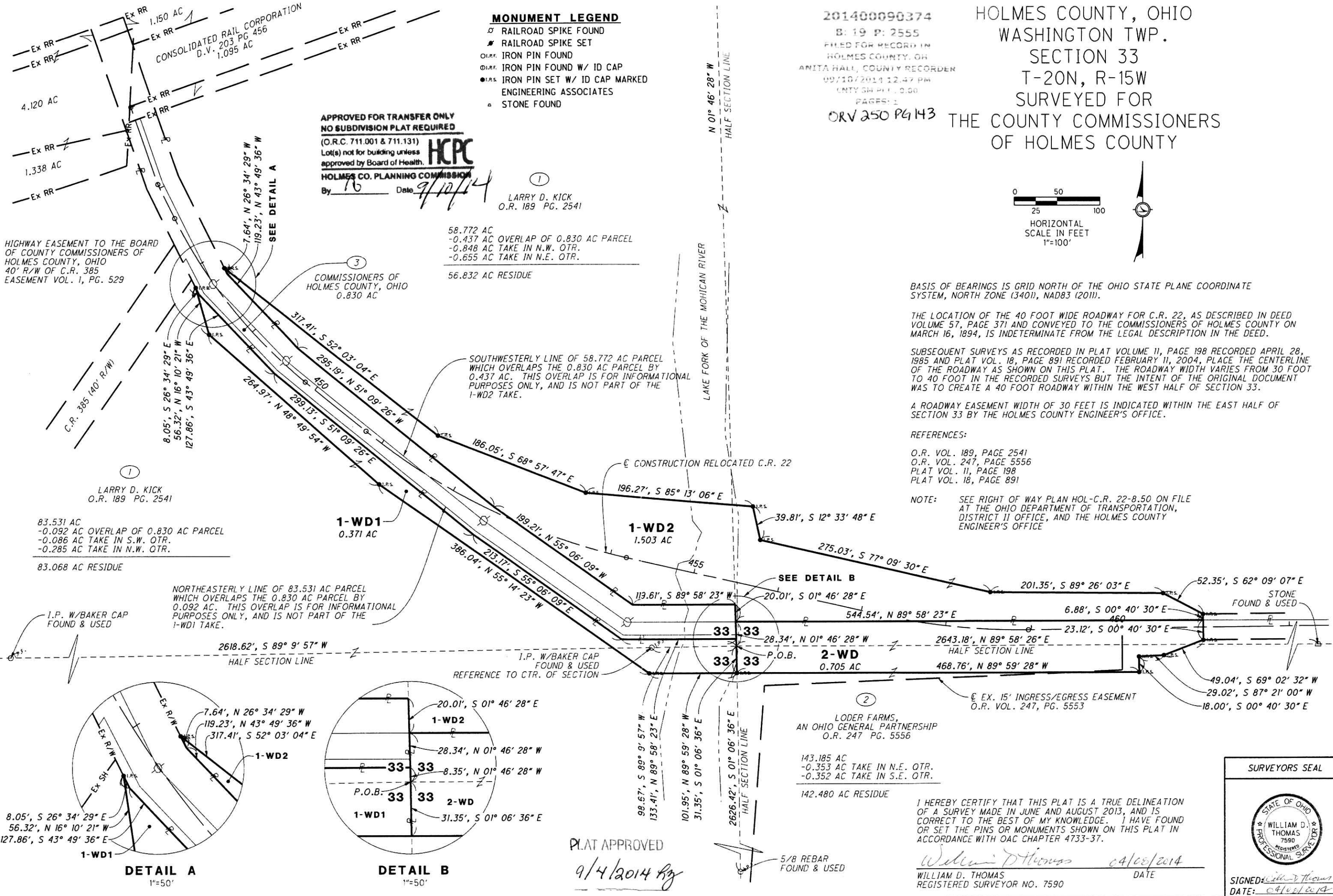
SUBSEQUENT SURVEYS AS RECORDED IN PLAT VOLUME 11, PAGE 198 RECORDED APRIL 28, 1985 AND PLAT VOL. 18, PAGE 891 RECORDED FEBRUARY 11, 2004, PLACE THE CENTERLINE OF THE ROADWAY AS SHOWN ON THIS PLAT. THE ROADWAY WIDTH VARIES FROM 30 FOOT TO 40 FOOT IN THE RECORDED SURVEYS BUT THE INTENT OF THE ORIGINAL DOCUMENT WAS TO CREATE A 40 FOOT ROADWAY WITHIN THE WEST HALF OF SECTION 33.

A ROADWAY EASEMENT WIDTH OF 30 FEET IS INDICATED WITHIN THE EAST HALF OF SECTION 33 BY THE HOLMES COUNTY ENGINEER'S OFFICE.

REFERENCES:

- O.R. VOL. 189, PAGE 2541
- O.R. VOL. 247, PAGE 5556
- PLAT VOL. 11, PAGE 198
- PLAT VOL. 18, PAGE 891

NOTE: SEE RIGHT OF WAY PLAN HOL-C.R. 22-8.50 ON FILE AT THE OHIO DEPARTMENT OF TRANSPORTATION, DISTRICT 11 OFFICE, AND THE HOLMES COUNTY ENGINEER'S OFFICE



HIGHWAY EASEMENT TO THE BOARD OF COUNTY COMMISSIONERS OF HOLMES COUNTY, OHIO 40' R/W OF C.R. 385 EASEMENT VOL. 1, PG. 529

58.772 AC  
-0.437 AC OVERLAP OF 0.830 AC PARCEL  
-0.848 AC TAKE IN N.W. OTR.  
-0.655 AC TAKE IN N.E. OTR.

56.832 AC RESIDUE

SOUTHWESTERLY LINE OF 58.772 AC PARCEL WHICH OVERLAPS THE 0.830 AC PARCEL BY 0.437 AC. THIS OVERLAP IS FOR INFORMATIONAL PURPOSES ONLY, AND IS NOT PART OF THE 1-WD2 TAKE.

83.531 AC  
-0.092 AC OVERLAP OF 0.830 AC PARCEL  
-0.086 AC TAKE IN S.W. OTR.  
-0.285 AC TAKE IN N.W. OTR.

83.068 AC RESIDUE

NORTHEASTERLY LINE OF 83.531 AC PARCEL WHICH OVERLAPS THE 0.830 AC PARCEL BY 0.092 AC. THIS OVERLAP IS FOR INFORMATIONAL PURPOSES ONLY, AND IS NOT PART OF THE 1-WD1 TAKE.

I.P. W/BAKER CAP FOUND & USED

I.P. W/BAKER CAP FOUND & USED REFERENCE TO CTR. OF SECTION

SEE DETAIL B

STONE FOUND & USED

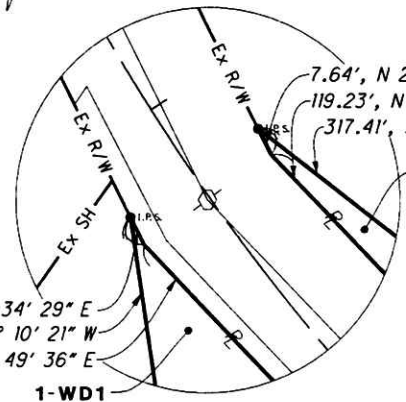
LODER FARMS, AN OHIO GENERAL PARTNERSHIP O.R. 247 PG. 5556

143.185 AC  
-0.353 AC TAKE IN N.E. OTR.  
-0.352 AC TAKE IN S.E. OTR.

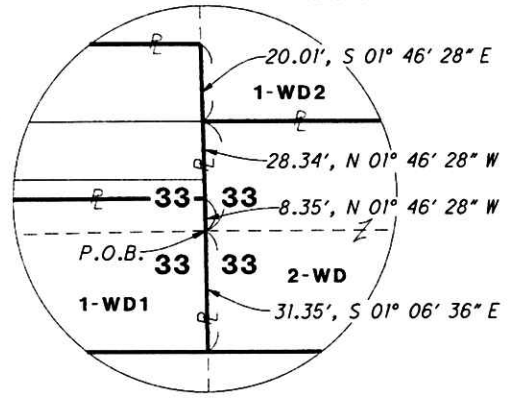
142.480 AC RESIDUE

I HEREBY CERTIFY THAT THIS PLAT IS A TRUE DELINEATION OF A SURVEY MADE IN JUNE AND AUGUST 2013, AND IS CORRECT TO THE BEST OF MY KNOWLEDGE. I HAVE FOUND OR SET THE PINS OR MONUMENTS SHOWN ON THIS PLAT IN ACCORDANCE WITH OAC CHAPTER 4733-37.

William D. Thomas 04/08/2014  
WILLIAM D. THOMAS REGISTERED SURVEYOR NO. 7590 DATE



DETAIL A  
1"=50'



DETAIL B  
1"=50'

PLAT APPROVED  
9/4/2014 Ry

5/8 REBAR FOUND & USED

SURVEYORS SEAL



SIGNED: William D. Thomas  
DATE: 04/08/2014