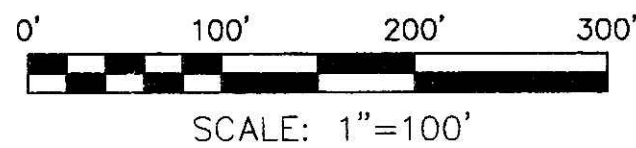
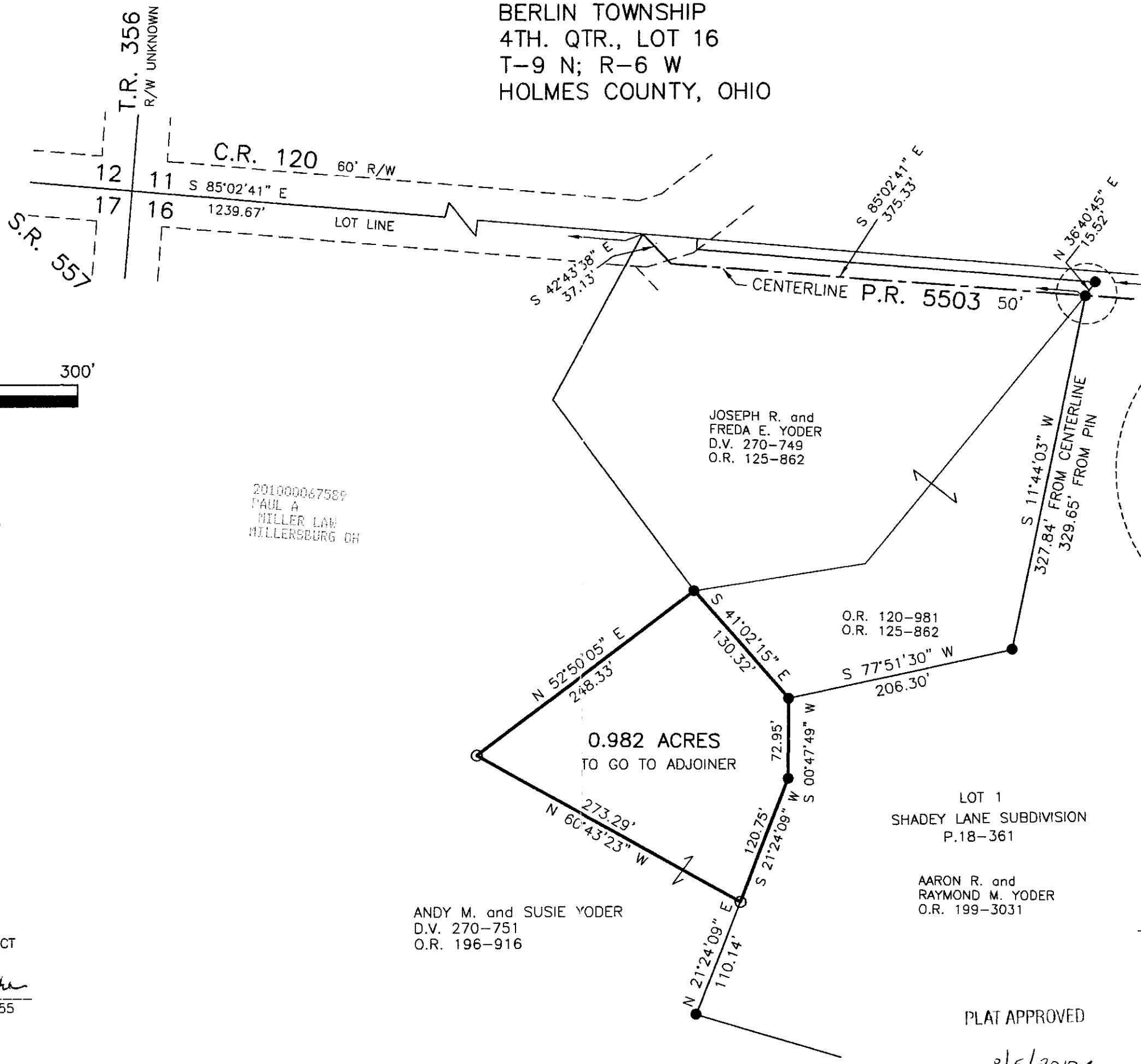


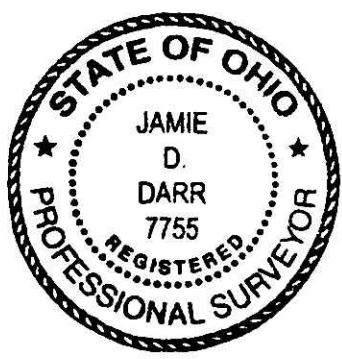
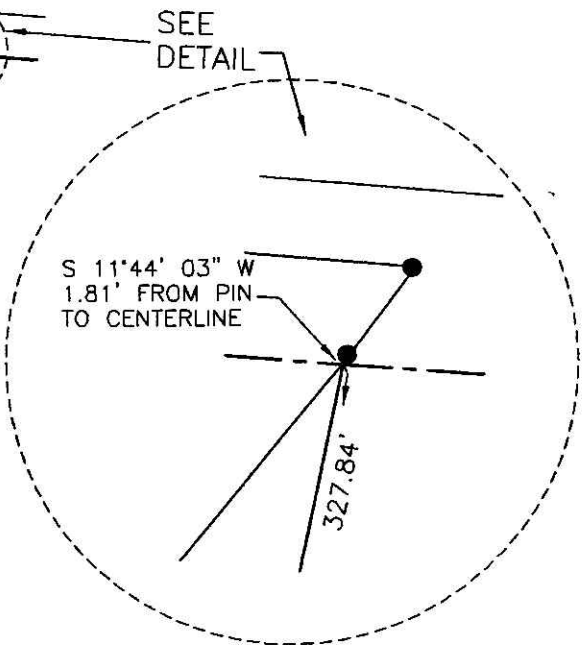
BERLIN TOWNSHIP
4TH. QTR., LOT 16
T-9 N; R-6 W
HOLMES COUNTY, OHIO

201000067589
Filed for Record in
HOLMES COUNTY, OH
ANITA HALL, COUNTY RECORDER
08-24-2010 AT 02:10 pm.
SMALL PLAT 40.00
OR Book 19 Page 1739 - 1739
OR 220 pgs 784 + 787



- 5/8" REBAR FOUND UNLESS OTHERWISE NOTED
- 5/8" REBAR SET WITH I.D. CAP I.D. CAP MARKED "BAKER 6938"

201000067589
PAUL A.
HILLER LAW
MILLERSBURG OH



I CERTIFY THIS SURVEY TO BE CORRECT TO THE BEST OF MY KNOWLEDGE.
[Signature]
JAMIE D. DARR P.S. 7755
DATE: JULY 19, 2010
JDD/ACB
FILENAME: C:/WORK3/S-293A10/MLD

ANDY M. and SUSIE YODER
D.V. 270-751
O.R. 196-916

JOSEPH R. and FRED E. YODER
D.V. 270-749
O.R. 125-862

O.R. 120-981
O.R. 125-862

LOT 1
SHADEY LANE SUBDIVISION
P.18-361

AARON R. and RAYMOND M. YODER
O.R. 199-3031

- REFERENCES
- O.R. VOL. 199 PAGE 3031
 - O.R. VOL. 196 PAGE 916
 - O.R. VOL. 125 PAGE 862
 - BEARINGS FROM PLAT VOL. 18 PAGE 361

PLAT APPROVED

8/5/2010

DONALD C. BAKER SURVEYING
138 N. CLAY STREET
MILLERSBURG, OHIO 44654
PH. 330-674-4788
FAX 330-674-6027