

SALT CREEK TOWNSHIP
 S.E. & S.W. QTRS. SECTION 7
 T-14 N; R-12 W
 HOLMES COUNTY, OHIO

SURVEYED FOR: ANDY J. MILLER

REFERENCES

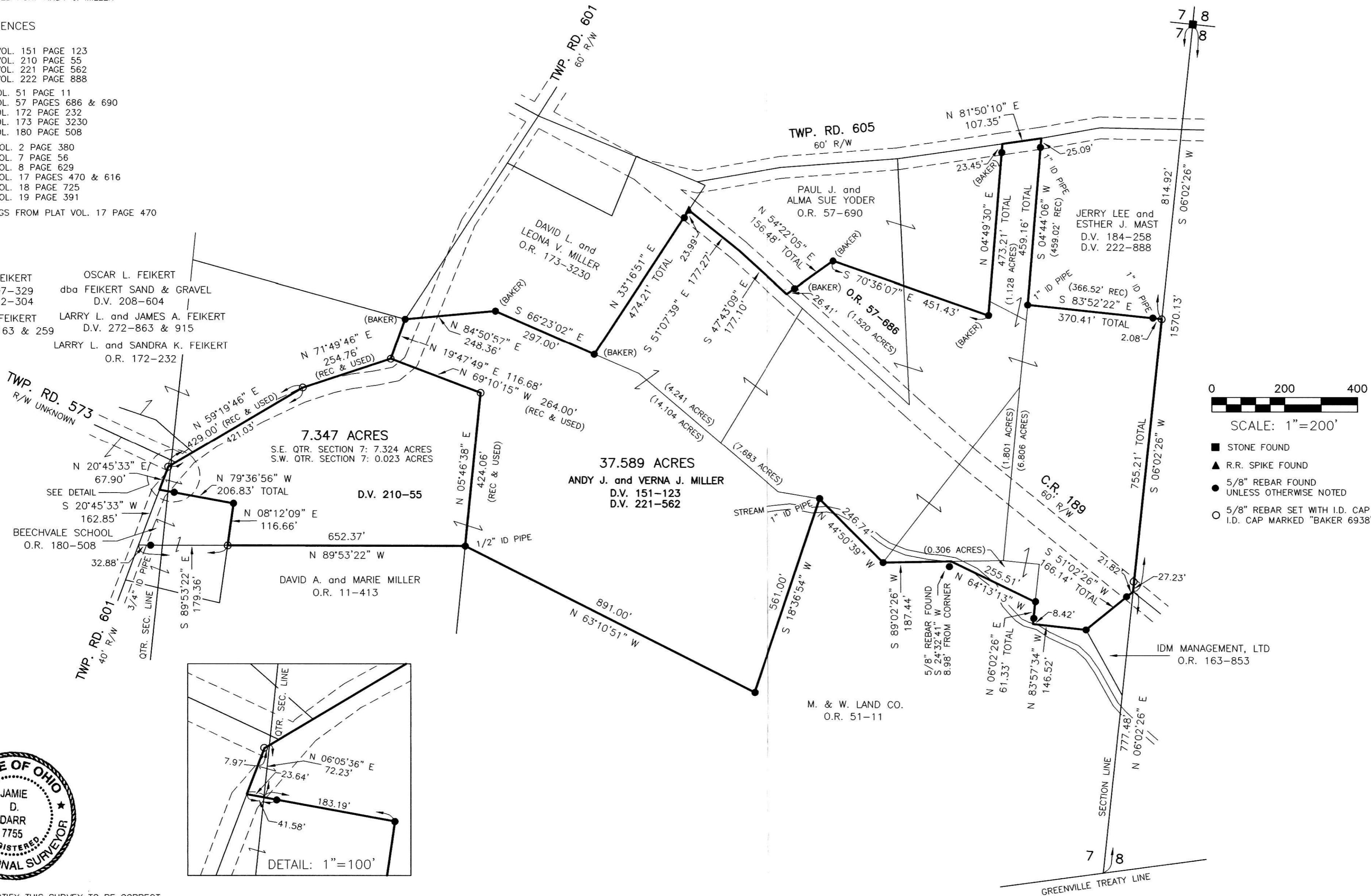
DEED VOL. 151 PAGE 123
 DEED VOL. 210 PAGE 55
 DEED VOL. 221 PAGE 562
 DEED VOL. 222 PAGE 888

O.R. VOL. 51 PAGE 11
 O.R. VOL. 57 PAGES 686 & 690
 O.R. VOL. 172 PAGE 232
 O.R. VOL. 173 PAGE 3230
 O.R. VOL. 180 PAGE 508

PLAT VOL. 2 PAGE 380
 PLAT VOL. 7 PAGE 56
 PLAT VOL. 8 PAGE 629
 PLAT VOL. 17 PAGES 470 & 616
 PLAT VOL. 18 PAGE 725
 PLAT VOL. 19 PAGE 391

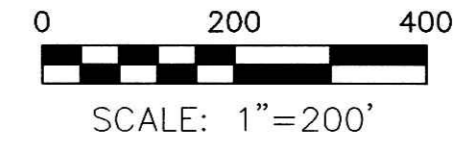
BEARINGS FROM PLAT VOL. 17 PAGE 470

O. L. FEIKERT
 D.V. 107-329
 D.V. 112-304
 OSCAR FEIKERT
 D.V. 169-163 & 259
 OSCAR L. FEIKERT
 dba FEIKERT SAND & GRAVEL
 D.V. 208-604
 LARRY L. and JAMES A. FEIKERT
 D.V. 272-863 & 915
 LARRY L. and SANDRA K. FEIKERT
 O.R. 172-232

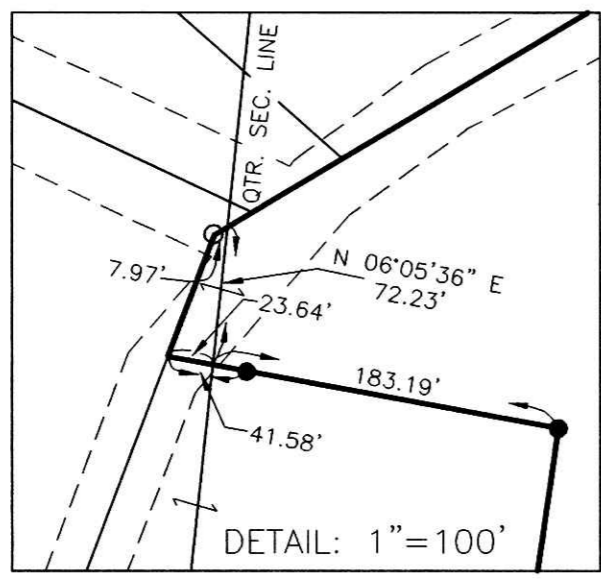


Instrument Book Page
 200700051857 OR 19 1117
 200700051857
 Filed for Record in
 HOLMES COUNTY, OH
 SALLY MILLER
 08-23-2007 At 09:29 am.
 PLAT MED 43.20
 OR Book 19 Page 1117 - 1117
 ORV 199 page 668

200700051857
 MILLER MAST & MASON LTD
 MILLERSBURG OH 44654



- STONE FOUND
- ▲ R.R. SPIKE FOUND
- 5/8" REBAR FOUND UNLESS OTHERWISE NOTED
- 5/8" REBAR SET WITH I.D. CAP I.D. CAP MARKED "BAKER 6938"



I CERTIFY THIS SURVEY TO BE CORRECT TO THE BEST OF MY KNOWLEDGE.
 JAMIE D. DARR P.S. 7755
 DATE: JULY 16, 2007
 JDD\WMB
 FILE NAME: WORK3\S-369-07\ERZ

DONALD C. BAKER SURVEYING
 138 N. CLAY STREET
 MILLERSBURG, OHIO 44654
 PH. 330-674-4788
 FAX 330-674-6027