

SALT CREEK TOWNSHIP
N.W. QTR. SECTION 33
T-15 N; R-12 W
HOLMES COUNTY, OHIO

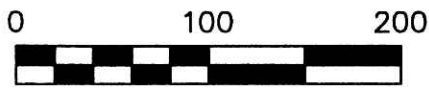
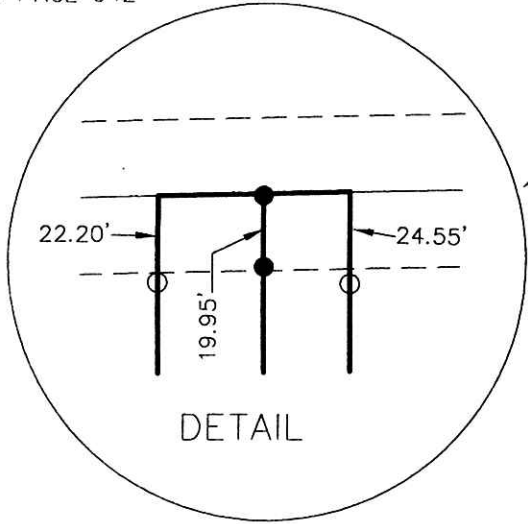
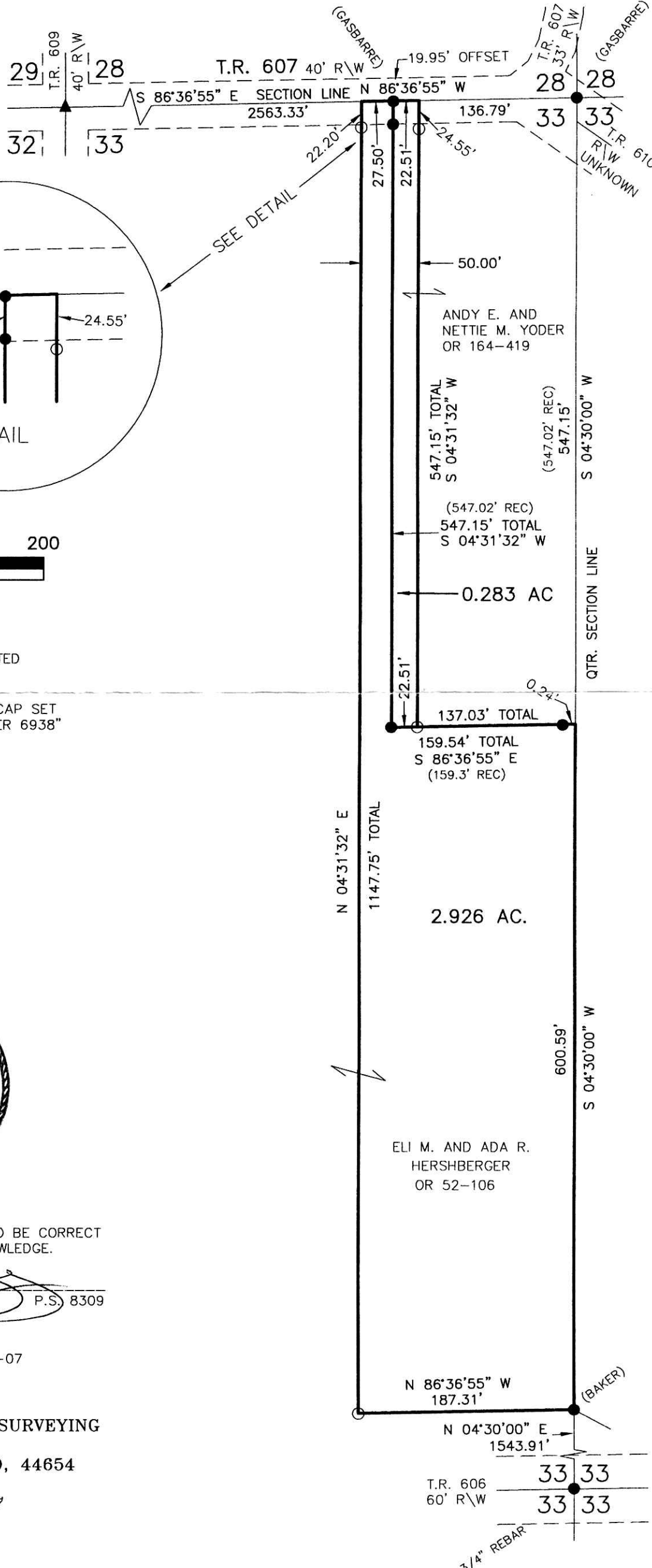
200700049628
CRITCHFIELD...
& JOHNSTON ATTYS
MILLERSBURG OH

OR 196p1813
OR 196p 1815

SURVEYED FOR: ELI M. HERSHBERGER

REFERENCES

- O.R. VOL. 52 PAGE 106
- O.R. VOL. 164 PAGE 419
- PLAT VOL. 12 PAGE 949
- PLAT VOL. 17 PAGE 497
- PLAT VOL. 14 PAGE 979
- PLAT VOL. 14 PAGE 942
- BEARINGS FROM
PLAT VOL. 14 PAGE 942



SCALE: 1"=100'

- 5/8" REBAR FOUND
UNLESS OTHERWISE NOTED
- ▲ R.R. SPIKE FOUND
- 5/8" REBAR WITH I.D. CAP SET
I.D. CAP MARKED "BAKER 6938"



I CERTIFY THIS SURVEY TO BE CORRECT
TO THE BEST OF MY KNOWLEDGE.

Eric R. Zaugg
ERIC R. ZAUGG P.S. 8309
DATE: MARCH 7, 2007
ERZ\AEG
File Name: WORK2\S-83-07



DONALD C. BAKER SURVEYING
138 N. CLAY ST.
MILLERSBURG, OHIO, 44654
PH. 330-674-4788
FAX. 330-674-6027

PLAT APPROVED

4/24/2007