

HARDY TOWNSHIP
 S.E., S.W. & N.E. QTRS. SECTION 21
 T-9 N; R-7 W
 HOLMES COUNTY, OHIO
 SURVEYED FOR: PAUL YOUNG

0 200 400



SCALE: 1"=200'

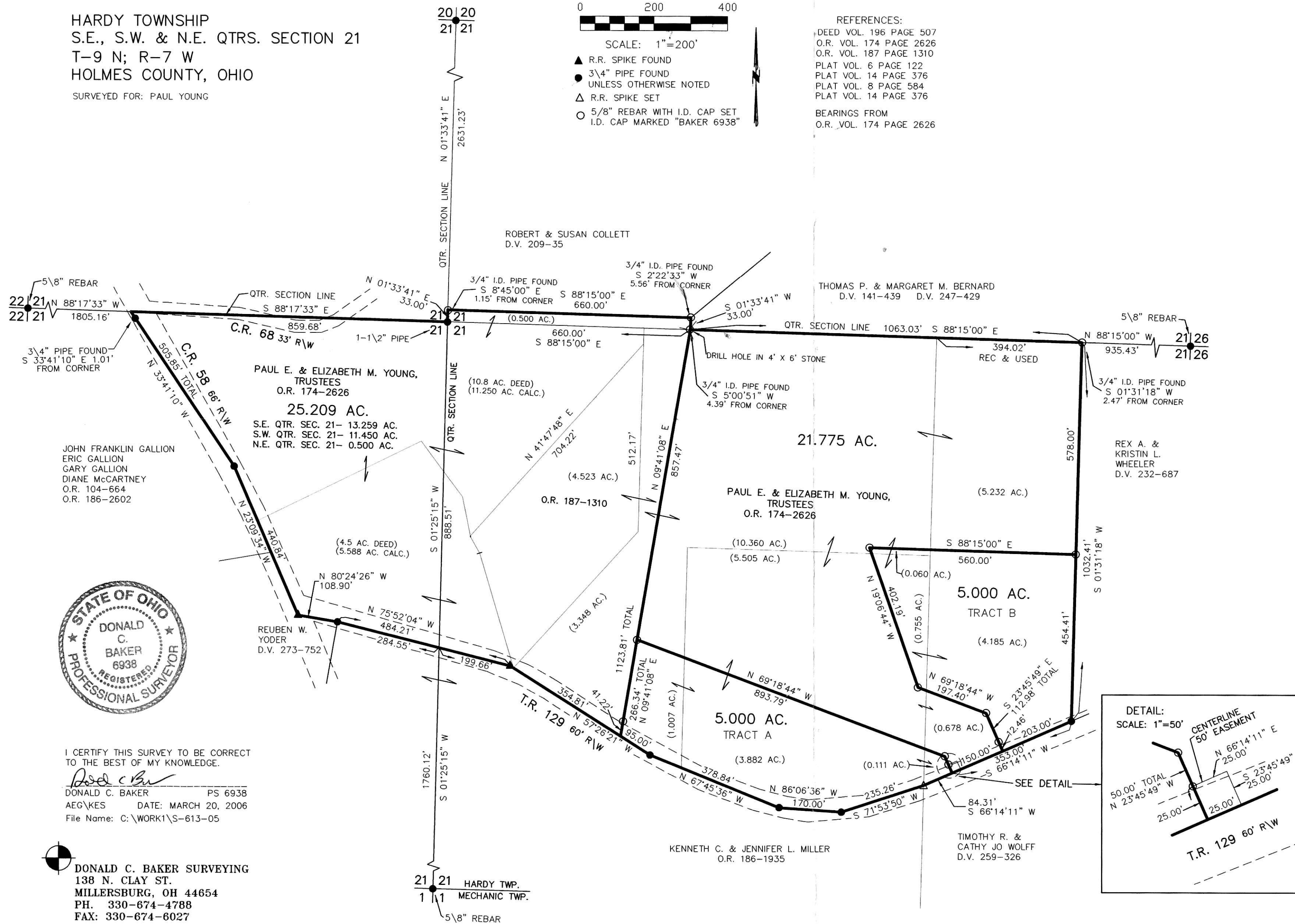
- ▲ R.R. SPIKE FOUND
- 3/4" PIPE FOUND
- UNLESS OTHERWISE NOTED
- △ R.R. SPIKE SET
- 5/8" REBAR WITH I.D. CAP SET
- I.D. CAP MARKED "BAKER 6938"

REFERENCES:
 DEED VOL. 196 PAGE 507
 O.R. VOL. 174 PAGE 2626
 O.R. VOL. 187 PAGE 1310
 PLAT VOL. 6 PAGE 122
 PLAT VOL. 14 PAGE 376
 PLAT VOL. 8 PAGE 584
 PLAT VOL. 14 PAGE 376
 BEARINGS FROM
 O.R. VOL. 174 PAGE 2626

Instrument Book Page
 200600042845 DR 19 672

200600042845
 Filed for Record in
 HOLMES COUNTY, OH
 SALLY MILLER
 04-13-2006 At 01:16 pm.
 PLAT RED 43.20
 DR Book 19 Page 672 - 672
 ORV 188 pages 126-128

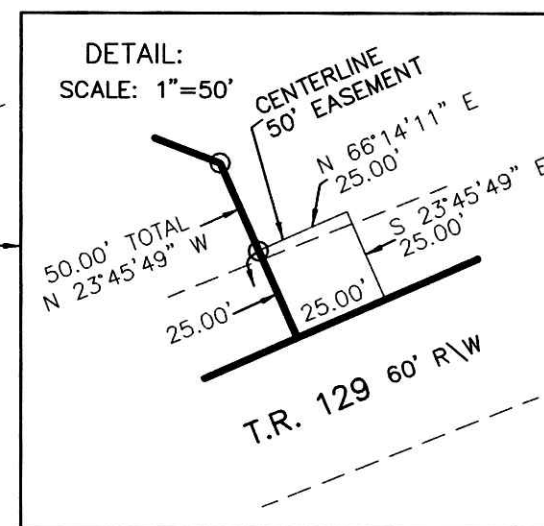
200600042845
 HOLMES CTY
 TITLE
 MILLERSBURG, OH



I CERTIFY THIS SURVEY TO BE CORRECT
 TO THE BEST OF MY KNOWLEDGE.

Donald C. Baker PS 6938
 AEG/KES DATE: MARCH 20, 2006
 File Name: C:\WORK1\S-613-05

DONALD C. BAKER SURVEYING
 138 N. CLAY ST.
 MILLERSBURG, OH 44654
 PH. 330-674-4788
 FAX: 330-674-6027



PLAT APPROVED

3/31/2006