

BERLIN TOWNSHIP
 3RD. QTR., LOTS 13 & 14
 T-9 N; R-5 W
 HOLMES COUNTY, OHIO
 SURVEYED FOR: ABE RABER

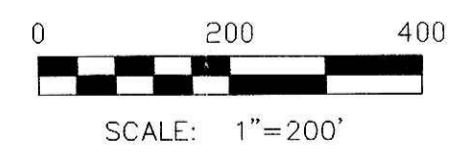
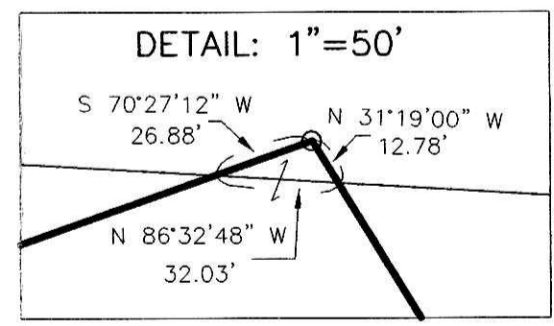
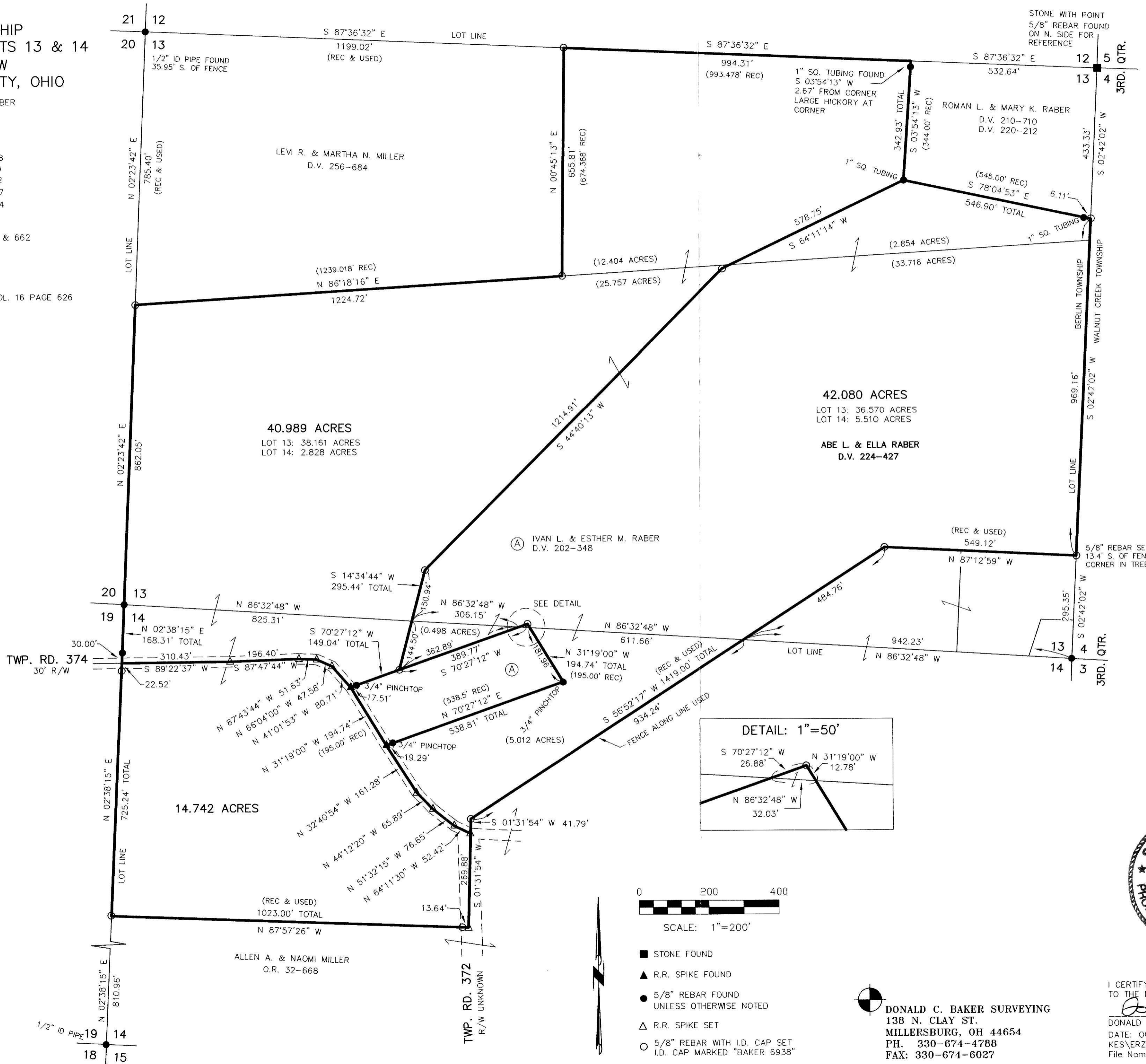
REFERENCES:

- DEED VOL. 202 PAGE 348
- DEED VOL. 210 PAGE 710
- DEED VOL. 220 PAGE 212
- DEED VOL. 224 PAGE 427
- DEED VOL. 256 PAGE 684
- O.R. VOL. 32 PAGE 668
- PLAT VOL. 8 PAGES 661 & 662
- PLAT VOL. 10 PAGE 72
- PLAT VOL. 15 PAGE 153
- PLAT VOL. 16 PAGE 626
- PLAT VOL. 17 PAGE 642
- BEARINGS FROM PLAT VOL. 16 PAGE 626

Instrument Book Page
 200500040852 DR 19 581

200500040852
 Filed for Record in
 HOLMES COUNTY, OH
 SALLY MILLER
 12-20-2005 At 12:44 pm.
 PLAT RED 43.20
 DR Book 19 Page 581 - 581
 ORV 185 pages 1961

200500040852
 MILLER MAST
 & MASON ATTYS
 MILLERSBURG, OH



- STONE FOUND
- ▲ R.R. SPIKE FOUND
- 5/8" REBAR FOUND UNLESS OTHERWISE NOTED
- △ R.R. SPIKE SET
- 5/8" REBAR WITH I.D. CAP SET I.D. CAP MARKED "BAKER 6938"

DONALD C. BAKER SURVEYING
 138 N. CLAY ST.
 MILLERSBURG, OH 44654
 PH. 330-674-4788
 FAX: 330-674-6027



I CERTIFY THIS SURVEY TO BE CORRECT TO THE BEST OF MY KNOWLEDGE.
 Donald C. Baker
 DONALD C. BAKER PS 6938
 DATE: OCT. 25, 2005
 KES\ERZ-ALG
 File Name: C:\WORK\S-629-05\ERZ

PLAT APPROVED
 12/1/2005