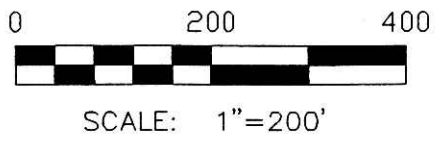


VOL 0019 PAGE 517

SALT CREEK TOWNSHIP  
N.W. QTR. SECTION 25  
T-15 N; R-12 W  
HOLMES COUNTY, OHIO

SURVEYED FOR: HENRY HERSHBERGER



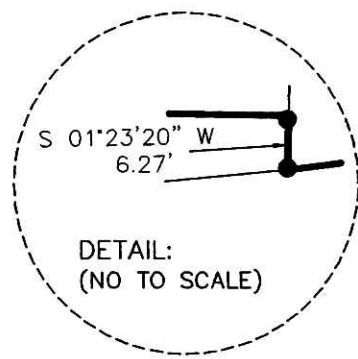
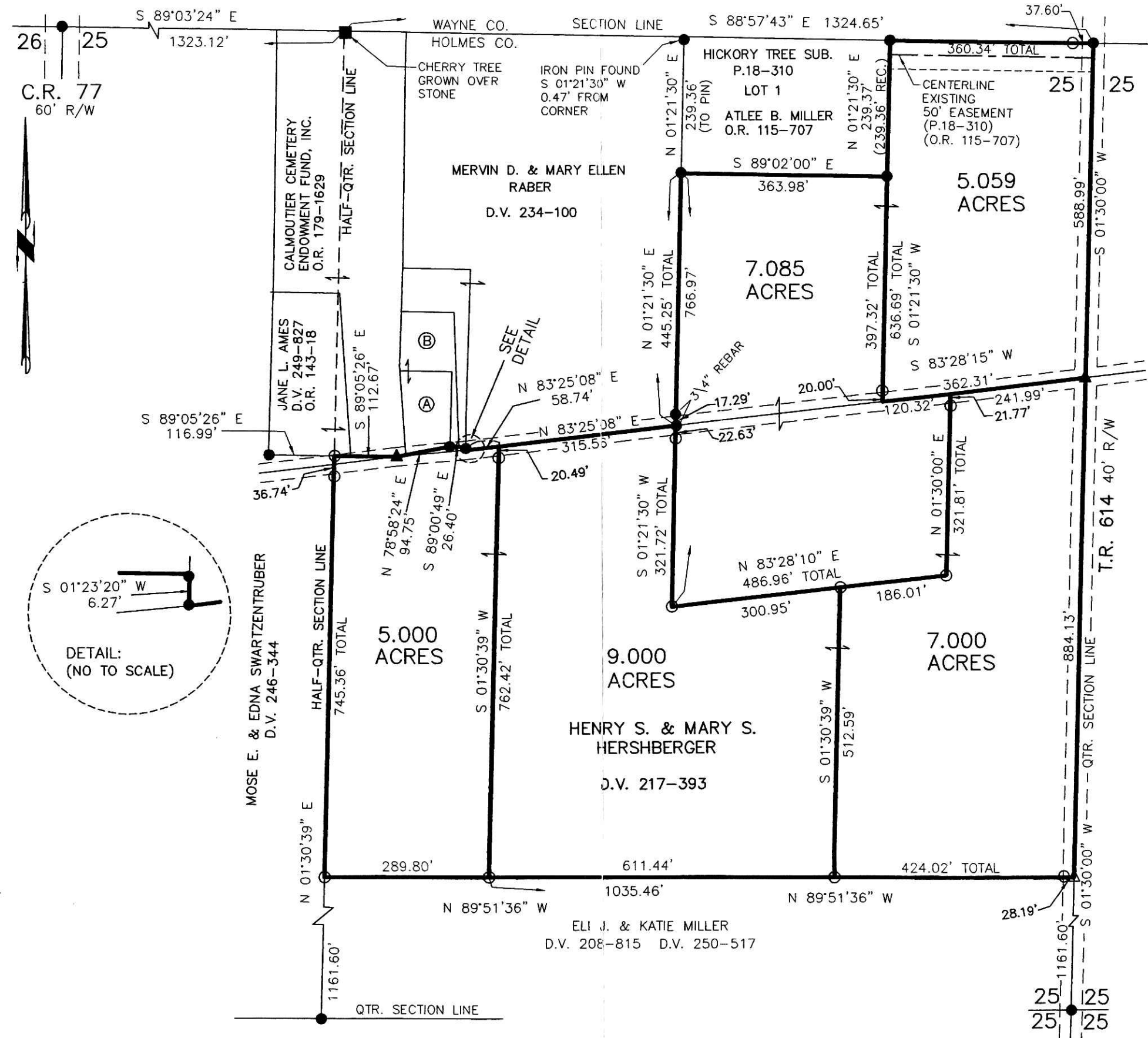
- STONE FOUND
- ▲ R.R. SPIKE FOUND
- 5/8" REBAR FOUND
- △ R.R. SPIKE SET
- 5/8" REBAR WITH I.D. CAP SET  
I.D. CAP MARKED "BAKER 6938"

- Ⓐ CALMOUTIER MEMORIAL ASSOCIATION  
D.V. 232-642
- Ⓑ CALMOUTIER MEMORIAL ASSOCIATION  
D.V. 232-644



I CERTIFY THIS SURVEY TO BE CORRECT  
TO THE BEST OF MY KNOWLEDGE.

*Donald C. Baker*  
DONALD C. BAKER PS 6938  
JDD\ERZ DATE: AUGUST 31, 2005  
File Name: C:\WORK\S-529-05\MLD



200500039508  
Filed for Record in  
HOLMES COUNTY, OH  
SALLY MILLER  
10-11-2005 At 11:13 am.  
SMALL PLAT 40.00  
DR Book 19 Page 517 - 517  
OR 183p 2900, 2902, 2904,  
2906,  
200500039508  
HEARTLAND TITLE AGENCY  
138 E JACKSON ST  
MILLERSBURG, OH 44654

C.R. 229  
33' R/W

PLAT APPROVED  
*9/26/2005*

- REFERENCES:
- DEED VOL. 217 PAGE 393
  - DEED VOL. 234 PAGE 100
  - DEED VOL. 250 PAGE 517
  - DEED VOL. 246 PAGE 344
  - DEED VOL. 232 PAGE 642
  - DEED VOL. 232 PAGE 644
  - O.R. VOL.143 PAGE 18
  - O.R. VOL. 179 PAGE 1629
  - O.R. VOL. 115 PAGE 707
  - PLAT VOL. 18 PAGE 310
  - BEARINGS FROM PLAT VOL. 17 PAGE 204

⊙ DONALD C. BAKER SURVEYING  
138 N. CLAY ST.  
MILLERSBURG, OH 44654  
PH. 330-674-4788  
FAX: 330-674-6027