

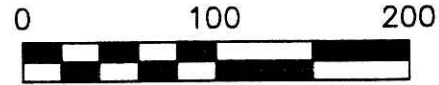
BERLIN TOWNSHIP  
 4TH. QTR., LOT 11  
 T-9 N; R-6 W  
 HOLMES COUNTY, OHIO

SURVEYED FOR: ROY TROYER

200500035134  
 HEARTLAND  
 TITLE  
 MILLERSBURG, OH

200500035134  
 Filed for Record in  
 HOLMES COUNTY, OH  
 SALLY MILLER  
 02-07-2005 At 11:08 am.  
 SMALL PLAT 40.00  
 DR Book 19 Page 304 - 304

OR 178p 381



SCALE: 1"=100'

- 5/8" REBAR FOUND UNLESS OTHERWISE NOTED
- ▲ R.R. SPIKE FOUND
- DRILL HOLE FOUND
- 5/8" REBAR WITH I.D. CAP SET I.D. CAP MARKED "BAKER 6938"

REFERENCES

- DEED VOL. 202 PAGE 389
- DEED VOL. 279 PAGE 479
- O.R. VOL. 174 PAGE 1616
- PLAT VOL. 10 PAGE 465
- PLAT VOL. 19 PAGE 132
- BEARINGS FROM PLAT VOL 16 PAGE 508

TH LIMITED PARTNERSHIP  
 D.V. 274-360

D.V. 260-467

JOHN M. & ELIZABETH J. MILLER  
 O.R. 174-1616

TH LIMITED PARTNERSHIP  
 D.V. 279-479

ROY A. & SUSAN TROYER  
 D.V. 202-389



APPROVED FOR TRANSFER ONLY  
 NO SUBDIVISION PLAT REQUIRED  
 (O.R.C. 711.001 & 711.131)  
 Lot(s) not for building unless approved by Board of Health.  
 HOLMES CO. PLANNING COMM

By DB Date 1/24/05

I CERTIFY THIS SURVEY TO BE CORRECT TO THE BEST OF MY KNOWLEDGE.

Donald C Baker  
 DONALD C. BAKER P.S. 6938  
 DATE: DEC. 2, 2004

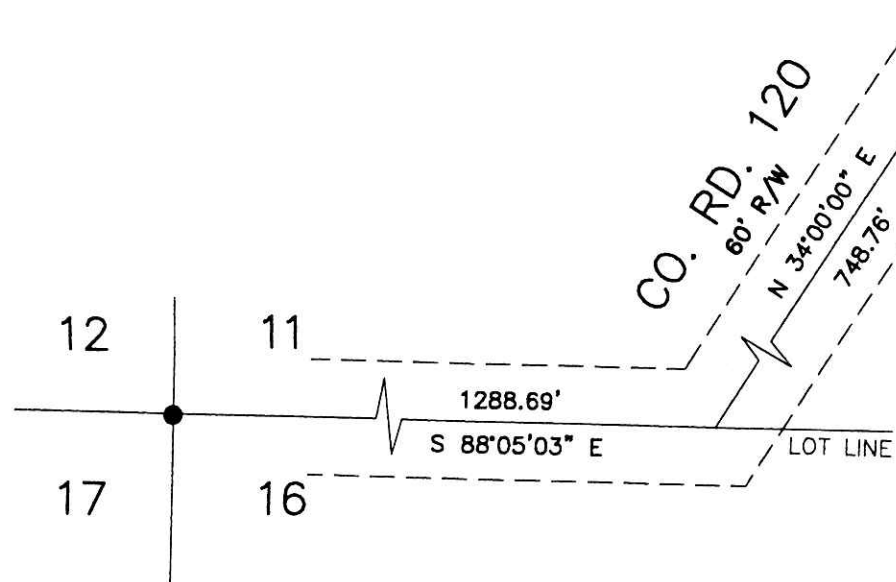
KES\JDD  
 File Name: WORK2\S-852-04



DONALD C. BAKER SURVEYING  
 138 N. CLAY ST.  
 MILLERSBURG, OHIO, 44654  
 PH. 330-674-4788  
 FAX. 330-674-6027

PLAT APPROVED

1/21/2005



Instrument 200500035134 OR Book Page 19 304