

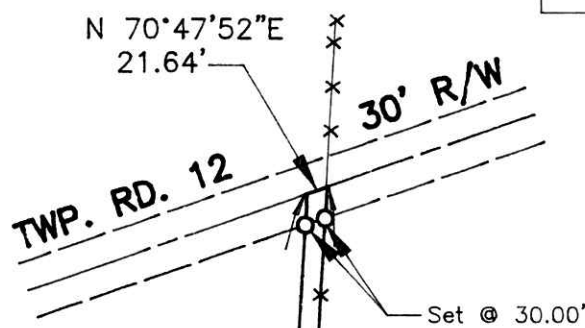
# SURVEY of a 0.573 ACRE PARCEL

PL 17 PAGE 155

SE QUARTER of SECTION 15  
T-8-N, R-9-W  
Richland Township  
HOLMES COUNTY, OHIO

199900003150  
Filed for Record in  
HOLMES COUNTY, OH  
SALLY MILLER  
On 06-29-1999 At 11:18 am.  
SMALL PLAT 20.00  
OR Book 17 Page 155 - 155  
ERV 34 Page 191

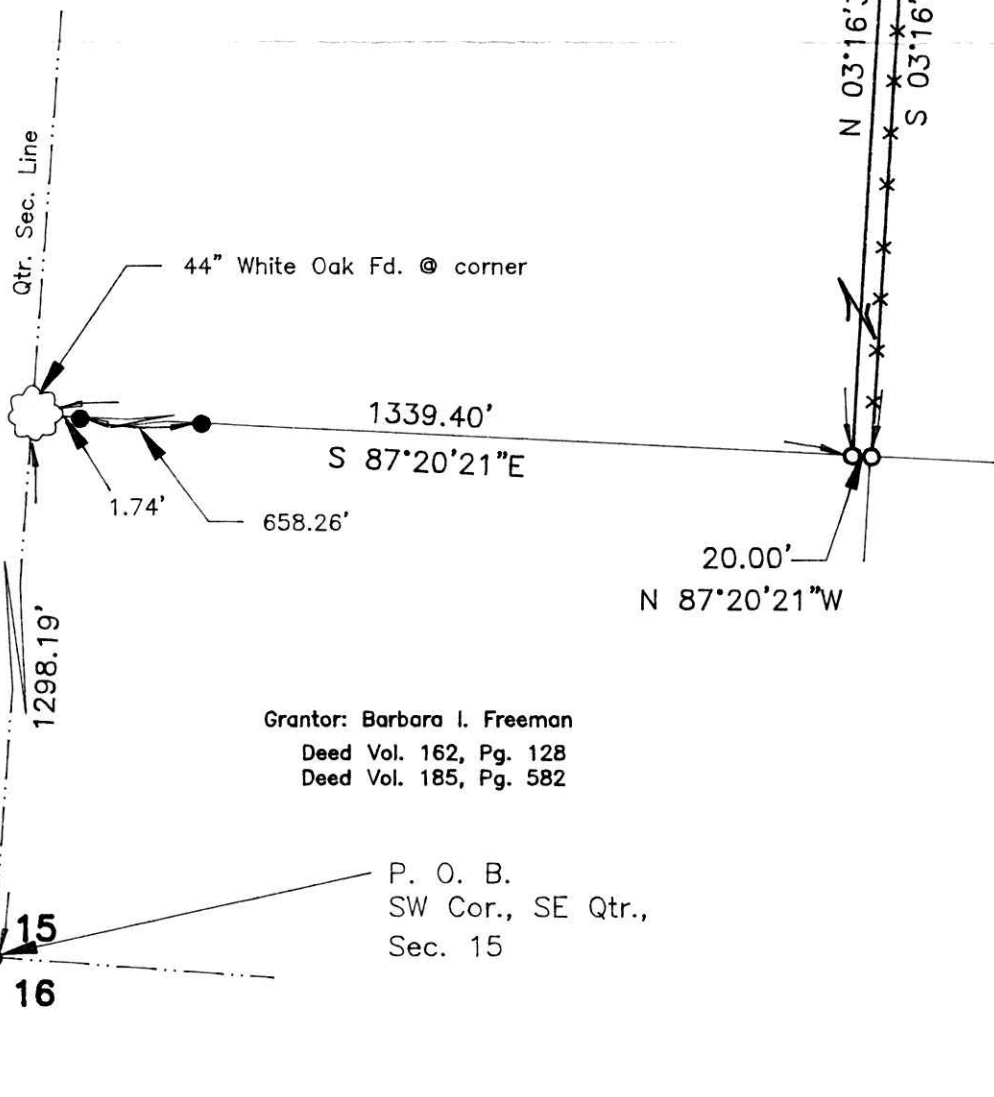
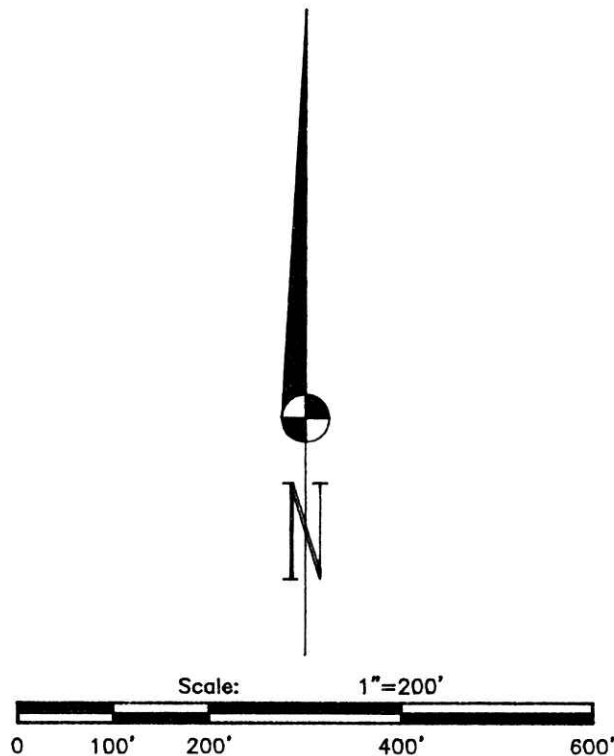
INDEXED



0.573 ACRES

The Thomas J. Evans Foundation  
Deed Vol. 170, Pg. 443

Walter Nacey  
Deed Vol. 246, Pg. 957  
Deed Vol. 246, Pg. 567  
Deed Vol. 245, Pg. 575  
Deed Vol. 166, Pg. 178



Grantor: Barbara I. Freeman  
Deed Vol. 162, Pg. 128  
Deed Vol. 185, Pg. 582

P. O. B.  
SW Cor., SE Qtr.,  
Sec. 15

- Stone Corner
- 5/8" Bar with Ident Cap "BAKER" Unless Otherwise Noted.
- ▲ R.R. Spike Fd. In Roadway
- ★ P.K./MAG Spike Fd. In Roadway
- △ R.R. Spike Set In Roadway
- ☆ MAG Spike Set In Roadway
- 5/8" x 30" Bar With Yellow Plastic Cap Marked RUDOLPH Set 6449

199900003150  
HEARTLAND TITLE  
MILLERSBURG,

Basis of Bearings:

Plat Volume 14, Page 262  
N 04° 00' 00" E on the  
Qtr. Sec. Line.

I Certify This Survey And Plat To Be Correct  
To The Best Of My Knowledge.

5.25.99  
Date Ronald G. Rudolph P.S. No. 6449  
R.G.S. RUDOLPH SURVEYING, Inc.  
384 W. Main St.  
Wooster, Ohio 44691  
(330) 262-0798  
Job No. 12489

PLAT APPROVED

6/22/99 b