

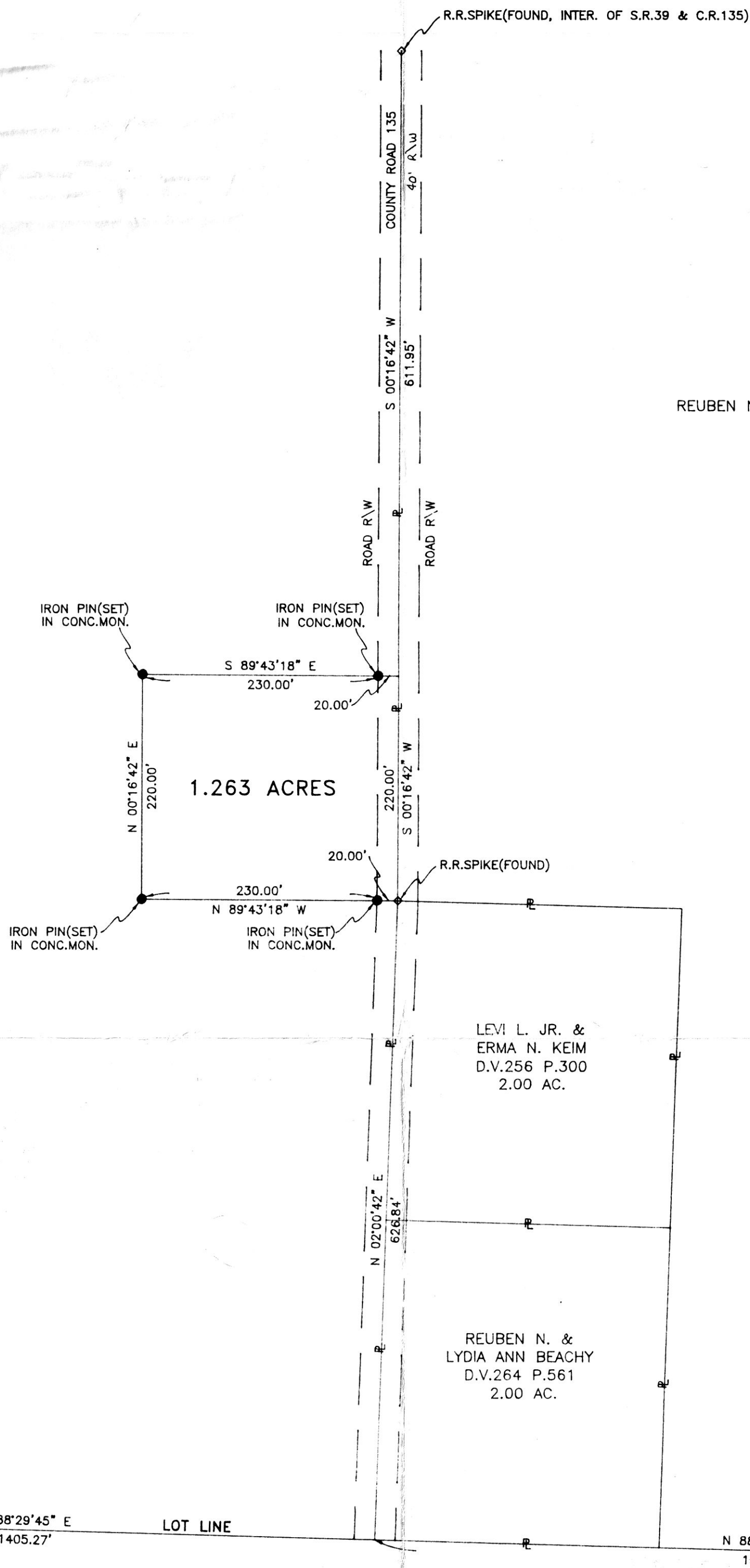
INDEXED

9800000144  
Filed for Record in  
HOLMES COUNTY, OH  
SALLY MILLER  
On 01-12-1998 At 02:15 pm.  
PLAT MED 21.60  
Book OR Vol. 16 Pg. 628 - 628  
or vol 1 p 9559

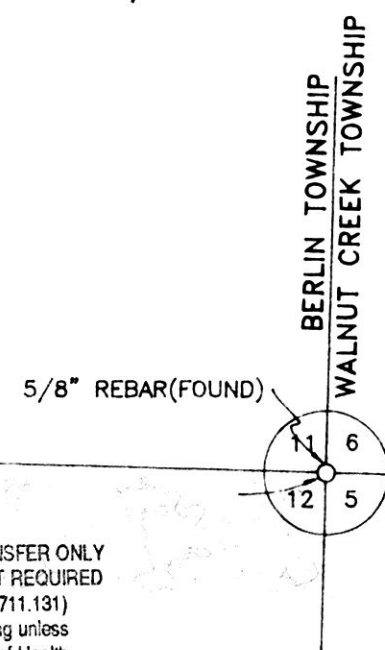
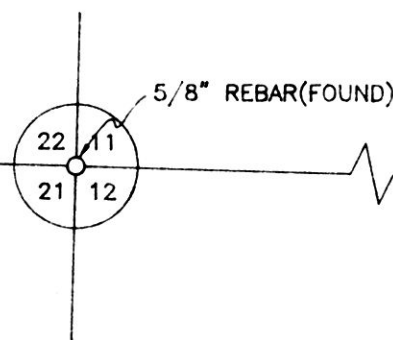


BENWILL DEVELOPMENT, LTD.  
D.V.276 P.674  
44.639 AC.

REUBEN N. & LYDIA ANN BEACHY  
D.V.264 P.561  
38.422 AC.



9800000144  
RONDA STEIMEL  
MILLERSBURG,



PLAT APPROVED

12/31/97

970264  
APPROVED FOR TRANSFER ONLY  
NO SUBDIVISION PLAT REQUIRED  
(O.R.C. 711.001 & 711.131)  
Lot(s) not for building unless  
approved by Board of Health,  
HOLMES CO. PLANNING COMM.

By *[Signature]* Date 12-30-97

LEGEND

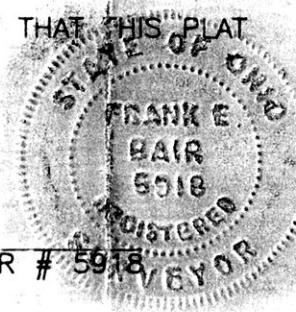
- INDICATES I.PIN(FOUND)
- ◇ INDICATES R.R. SPIKE(FOUND)
- INDICATES I.PIN(SET) IN CONC.MON.

NOTE: (BEARINGS ORIENTED TO EAST LINE OF BENWILL DEVELOPMENT,LTD. DEED CONTAINING 44.639 ACRES, D.V.276 P.674)

(IRON PINS INDICATED(SET) ARE 5/8" IRON BARS WITH A PLASTIC CAP STAMPED BAIR & GOODIE ENCASED WITHIN A CONCRETE MONUMENT.)

I, THE UNDERSIGNED HEREBY CERTIFY THAT THIS PLAT IS TRUE AND CORRECT.

*[Signature]*  
FRANK E. BAIR REG. SURVEYOR # 5918



AMERICAN ELECTRIC POWER

SCALE: 1" = 100'	PROJECT: PLAT OF SURVEY
DRAWN: DES BGA	LOCATED IN: LOT NO.11, THIRD QUARTER TOWNSHIP 9, RANGE 5 BERLIN TOWNSHIP HOLMES COUNTY, OHIO
CHECKED: FEB BGA	
DATE: 4/5/97	
BAIR, GOODIE AND ASSOCIATES, INC. NEW PHILADELPHIA, OHIO	
FILE ID: AEPWALNU	
SHEET 1 OF 1	