

CLARK TOWNSHIP
N.E. & S.E. QTRS. SECTION 5
T-8 N; R-5 W
HOLMES COUNTY, OHIO

SURVEYED FOR: ALBERT SCHROCK

0 200 400

SCALE: 1"=200'

- STONE FOUND
- 5/8" REBAR FOUND
- UNLESS OTHERWISE NOTED
- P.K. NAIL FOUND
- 5/8" REBAR WITH I.D. CAP SET
- I.D. CAP MARKED "BAKER 6938"

REFERENCES:

DEED VOL. 176 PAGE 683
DEED VOL. 210 PAGE 716
DEED VOL. 191 PAGE 507
DEED VOL. 166 PAGE 575
DEED VOL. 238 PAGE 887
DEED VOL. 220 PAGE 412
DEED VOL. 155 PAGE 505
DEED VOL. 172 PAGE 90

O.R. VOL. 11 PAGE 210
O.R. VOL. 31 PAGE 587
O.R. VOL. 46 PAGE 68
O.R. VOL. 35 PAGE 142
O.R. VOL. 35 PAGE 140
O.R. VOL. 59 PAGE 911
O.R. VOL. 34 PAGE 359

PLAT VOL. 7 PAGE 144
PLAT VOL. 17 PAGE 105
PLAT VOL. 17 PAGE 198
PLAT VOL. 17 PAGE 177
PLAT VOL. 19 PAGE 162
PLAT VOL. 17 PAGE 652
PLAT VOL. 14 PAGE 103
PLAT VOL. 3 PAGE 75 B
PLAT VOL. 16 PAGE 756

BEARINGS FROM PLAT VOL. 16 PAGE 756

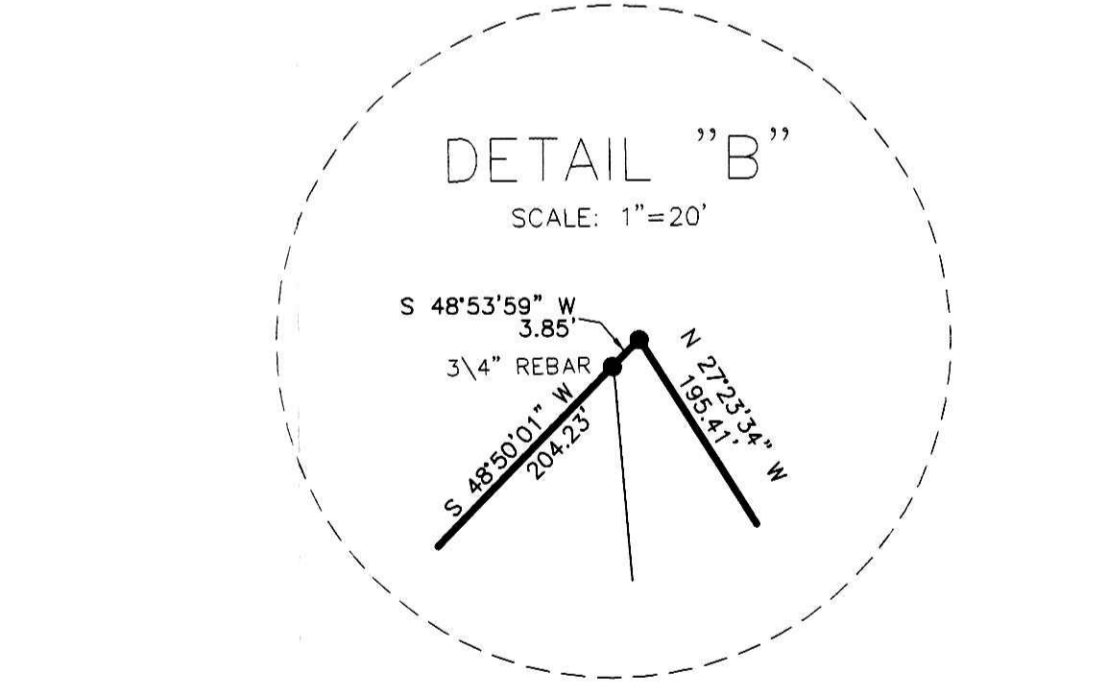
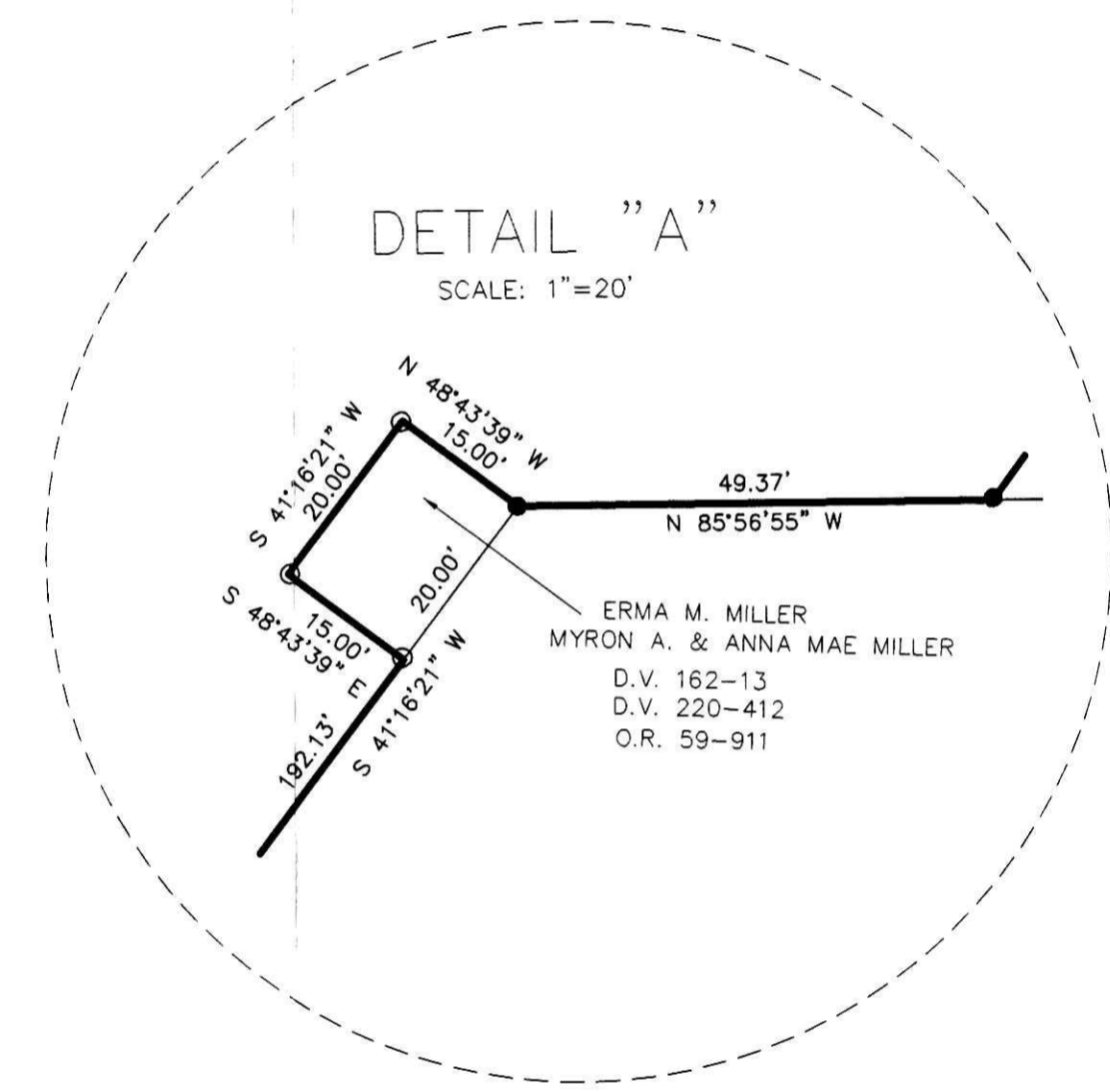
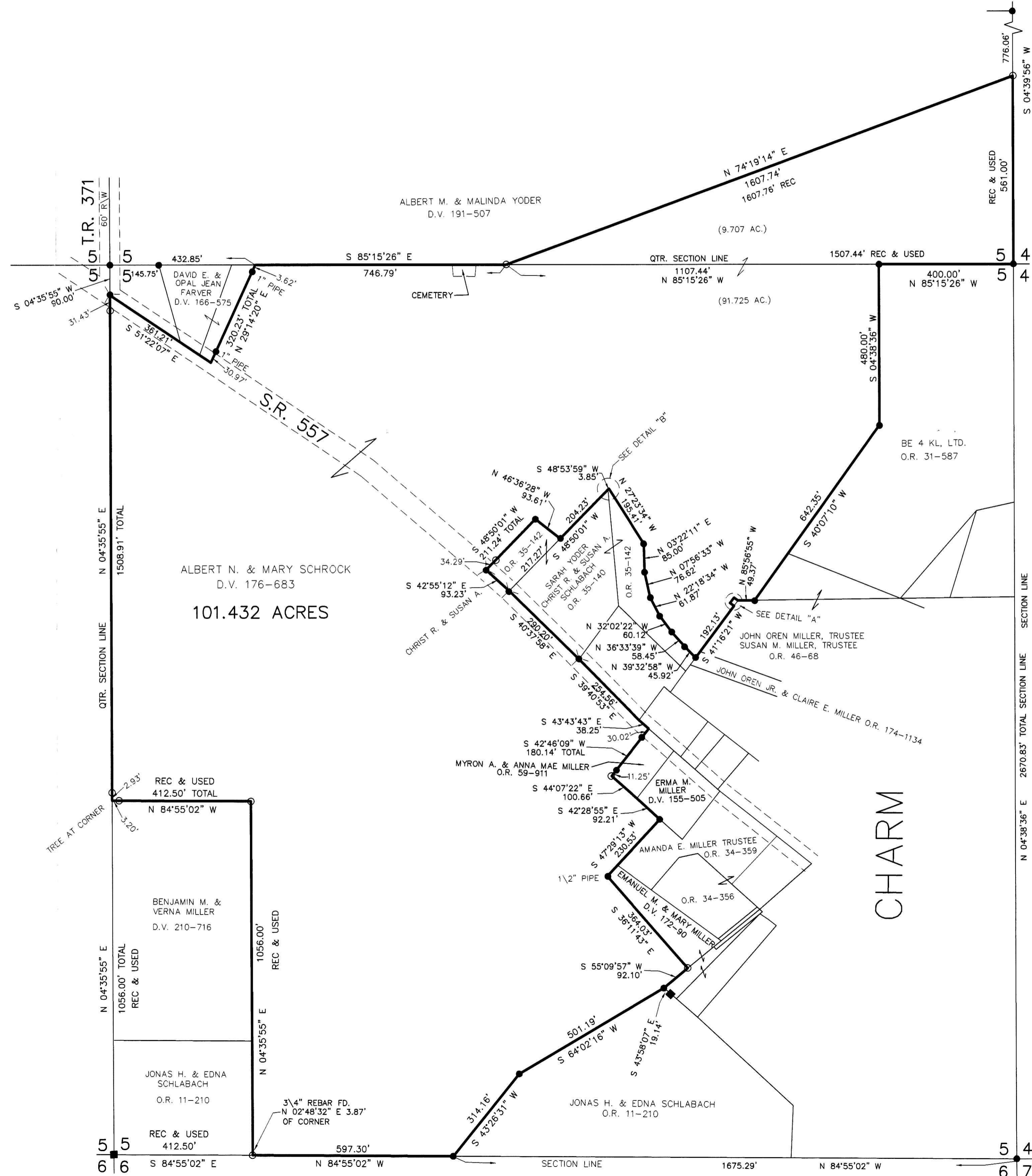


I CERTIFY THIS SURVEY TO BE CORRECT
TO THE BEST OF MY KNOWLEDGE.

Donald C. Baker
DONALD C. BAKER PS 6938

ALG\FDB DATE: MARCH 8, 2005

File Name: C:\JOBS\S-81-05



200500036438
SAMUEL M
STEINEL ATTY
MILLERSBURG, OH

Instrument Book Page
200500036438 OR 2 394
Filed for Record in
HOLMES COUNTY, OH
SALLY MILLER
04-29-2005 At 02:46 p.m.
PLAT LARGE 86.40
OR Book 2 Page 394 - 394
OKV 179 page 2322

DONALD C. BAKER SURVEYING
138 N. CLAY ST.
MILLERSBURG, OH 44654
PH. 330-674-4788
FAX: 330-674-6027

PLAT APPROVED
4/17/2005